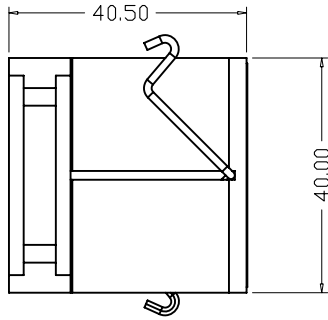
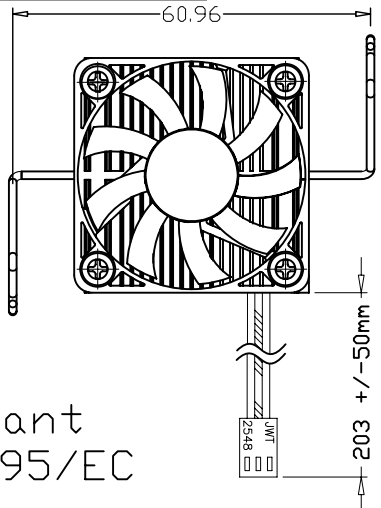


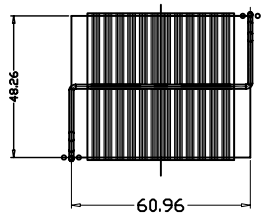
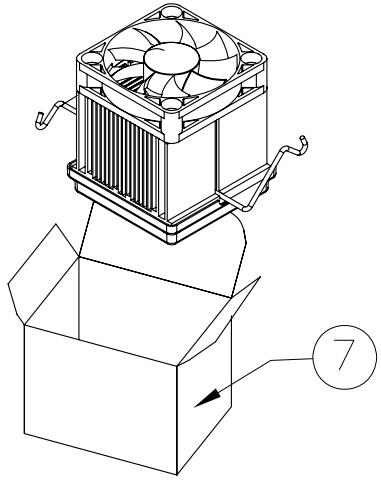
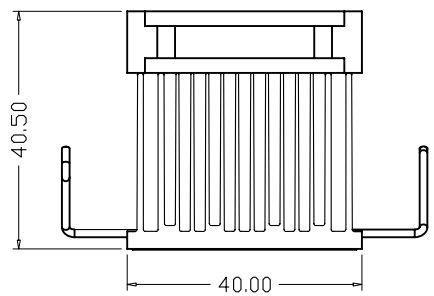
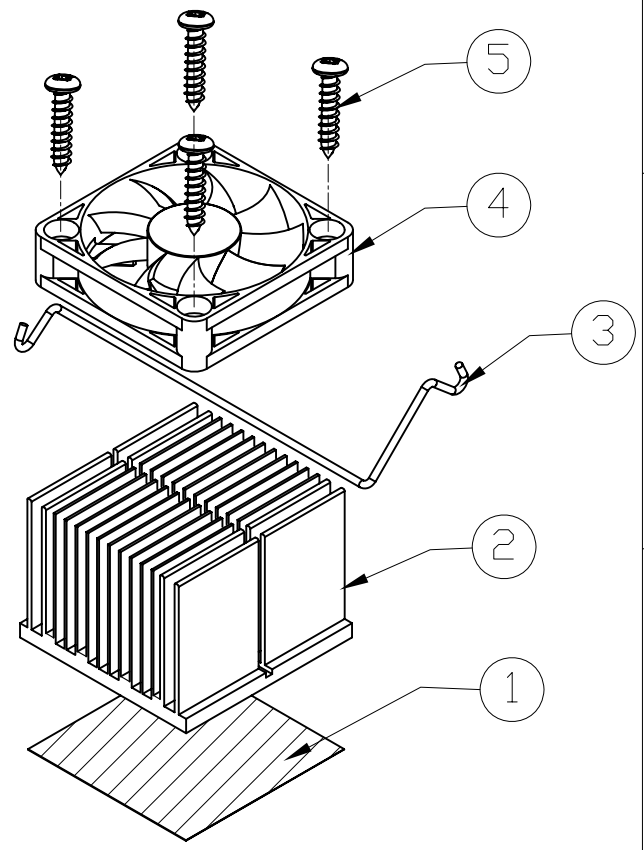
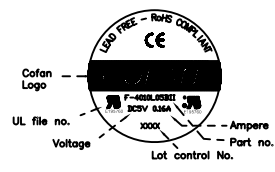
NOTICE - PROPRIETARY INFORMATION
 THE DESIGN AND RELATED INFORMATION CONTAINED HEREIN IS THE SOLE PROPERTY OF COFAN INC. THE DISCLOSURE OF THIS INFORMATION DOES NOT CONSTITUTE THE RELEASE OF ANY PROPRIETARY RIGHTS THEREIN. PERMISSION TO REPRODUCE THIS INFORMATION OR THE PRODUCTS DISCLOSED HEREIN MUST BE OBTAINED IN WRITING FROM COFAN INC.

COFAN PART # 30-1197 REV 03

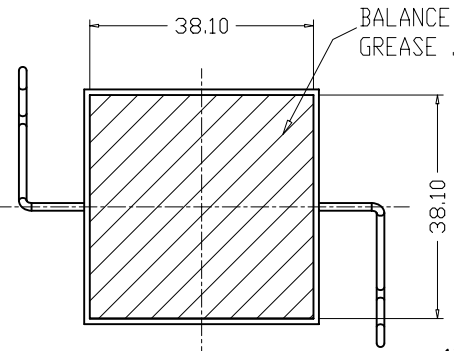
REVISION HISTORY					
REV	DESCRIPTION	DRWN	CHK'D	APPVD	DATE
01	Original Spec	Mark.S	Mark.S		10/9/06
02	REMOVED ANCHOR ADDED COFAN NAME, PART #, & MFG DATE	Mark.S	Mark.S		12/05/06
03	VENDDR REQUEST TO CHANGE TO 10X INNER FINS	Mark.S	Mark.S		7/9/07



RoHS
 Compliant
 2002/95/EC

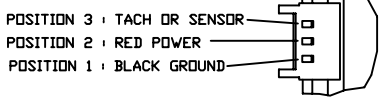


BELOW: PCB LAYOUT



BALANCE STAR ST801 THERMAL GREASE .2~.3mm THICK

Thermal Resistance:
 Approx .8 C/W



1X MOLEX HOUSING 22-01-3037 OR EQUIV.
 3X MOLEX TERMINAL 08-52-0123 OR EQUIV.

- Note:
1. MTBF to be 125K+ Hrs (2 Ball Bearing)
 2. Fan to have 9 blades
 3. Fan to be 3,000 RPM

MODEL NO	RATED VOLTAGE V	OPERATING VOLTAGE V	RATED CURRENT A	ACTUAL CURRENT A	RATED POWER W	RATED SPEED RPM	MAX AIR FLOW @ 3000 RPM		MAX PRESSURE @ 3000 RPM		NOISE LEVEL dBA
							CMM	CFM	mmH ₂ O	InH ₂ O	
F-4010L05BII	5	4.5~6.0	0.16	0.06	0.80	3000	0.115	4.06	0.79	0.031	14.8

ITEM	DESCRIPTION	REV	COFAN P/N	Material/Plating	QTY
7	WHITE BDX	01	30-1197-B	48x50x66mm / RoHS	1
6	PVC	02	30-1197-P	PVC T=0.5 / RoHS	1
5	SCREW	01	60-1019	M3x16, STEEL / BLACK ZINC/ RoHS	4
4	Fan	01	F-4010L05BII-02	Fan, 40.5x10.5mm, 5V, 2 Ball, 3000 RPM, 3 Wire, Tach, 8"	1
3	CLIP	01	53-1018	Ø1.30 302 1/2 HARD STAINLESS STEEL / DEGREASED	1
2	Heat Sink	03	20-1412	AL 6063-T5 / BLACK ANODIZE / 40X40X30.0MM / RoHS	1
1	Thermal Grease	01	ST-801	TO BE INSTALLED BY CM - NOT INCLUDED WITH ASSY	1

DO NOT SCALE DRAWING

UNLESS OTHERWISE SPECIFIED DIMENSIONS ARE IN MILLIMETRE TOLERANCES ARE:

1 PLACE .X	± 0.3
2 PLACE .XX	± 0.2
3 PLACE .XXX	± 0.13
ANGLES EXCEPT 90°	± 0.5°
MAXIMUM SURFACE ROUGHNESS	3.2

NAME: _____ DATE: 6/14/07
 DRAWN BY: *Ajje*
 CHECKED BY: Mark.S 7/9/07
 APPR BY: _____

CUSTOMER DRAWING NUMBER: _____
 CUSTOMER PART NUMBER: _____
 COFAN DRAWING NUMBER: 30-1197
 COFAN PART NUMBER: 30-1197

FANSINK, 40x40x40.5mm, 5V
 SCALE: 1:1
 SHEET: 1 OF 1
 DATE DRAWN: JUL-9-2007

COFAN USA
 46177 WASH SPRINGS BLVD. FREMONT CA 94539