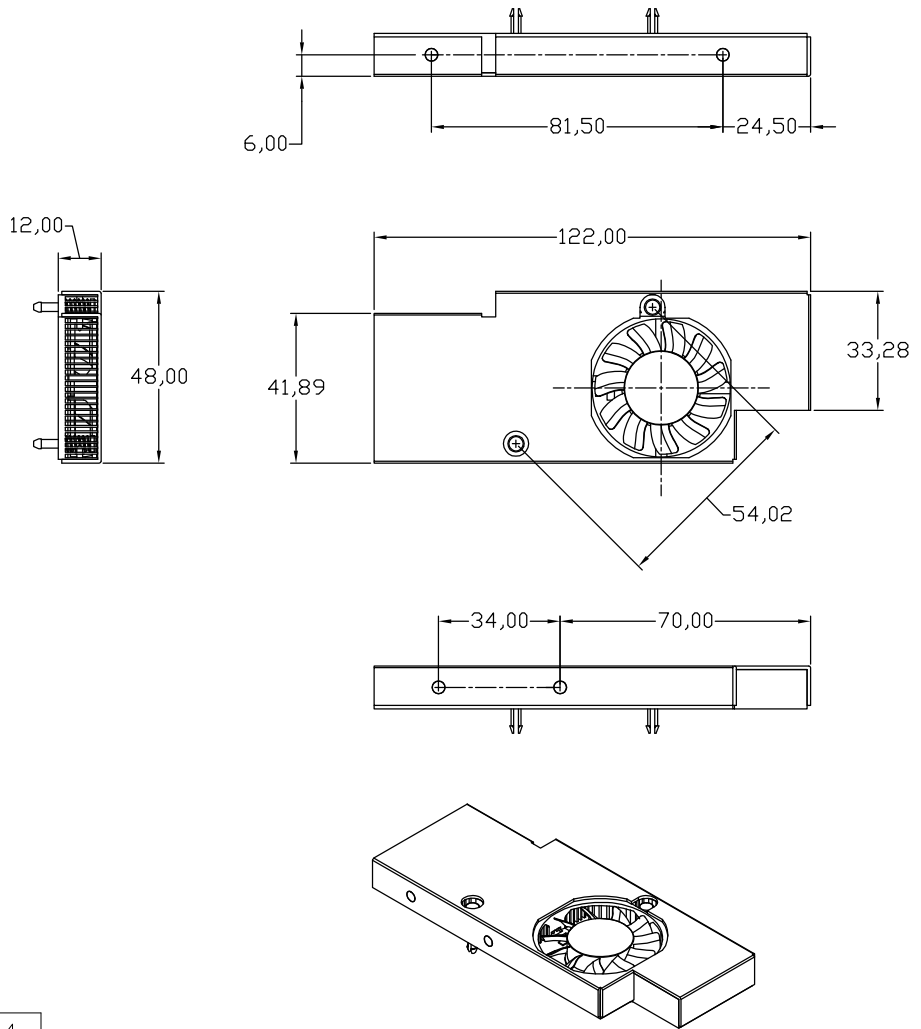
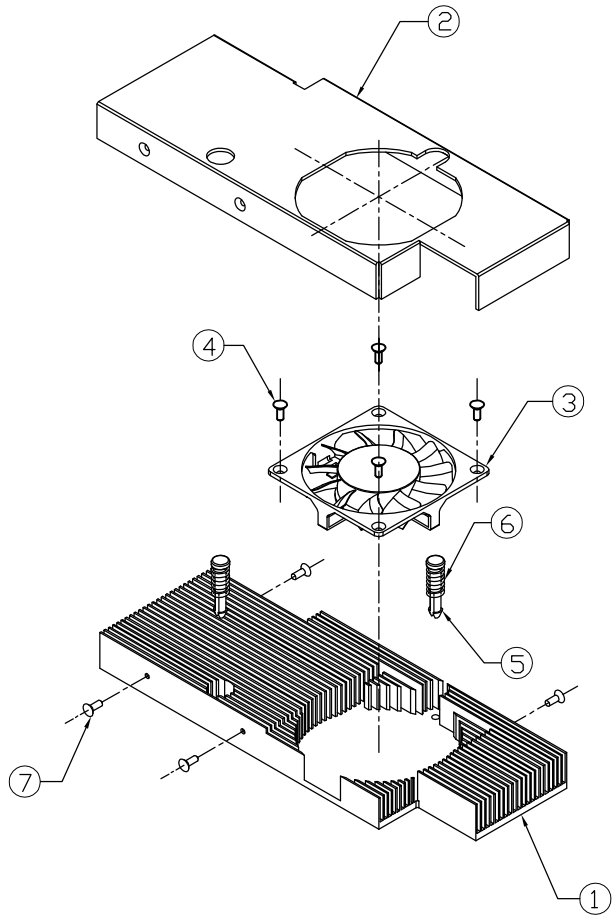


NOTICE - PROPRIETARY INFORMATION
 THE DESIGN AND RELATED INFORMATION CONTAINED HEREIN IS THE SOLE PROPERTY OF COFAN INC. THE DISCLOSURE OF THIS INFORMATION DOES NOT CONSTITUTE THE RELEASE OF ANY PROPRIETARY RIGHTS THEREIN. PERMISSION TO REPRODUCE THIS INFORMATION OR THE PRODUCTS DISCLOSED HEREIN MUST BE OBTAINED IN WRITING FROM COFAN, INC.

RoHS
 Compliant
 2002/95/EC

REVISION HISTORY					
REV	DESCRIPTION	DRWN	CHK'D	APPVD	DATE
02	change Cover length dimension from 78.5mm to 71mm.	Long	---	---	Dec-07-2006
	change Heat sink length dimension from 77.5mm to 70mm.				
03	Revision Profile	Long	---	---	Dec-21-2006



⑦	TAPPING SCREW	60-1130 Rev 01	Stainless Steel / Black Zinc (M1.6x5.0)	4
⑥	SPRING	50-1008 Rev 01	Spring Steel / Degrease	2
⑤	PIN	50-1206 Rev 02	Brass / Degrease	2
④	TAPPING SCREW	60-1131 Rev 01	Stainless Steel / Black Zinc (M1.6x7.0)	4
③	DC FAN	F-4008H12B	40x40x8mm, 9000 RPM, 12V, 65mm 2W	1
②	COVER	57-1009 Rev 03	TRANSFORMER COVER 3, AL, Black Anodize	1
①	HEAT SINK	20-1499 Rev 005	TRANSFORMER HEAT SINK 3, AL6063, Black Anodize	1
ITEM	ITEM NAME	COFAN P/N	DESCRIPTION	QTY

DO NOT SCALE DRAWING
 UNLESS OTHERWISE SPECIFIED
 DIMENSIONS ARE IN MILLIMETRE
 TOLERANCES ARE:
 1 PLACE .X ± 0.4
 2 PLACE .XX ± 0.25
 3 PLACE .XXX ± 0.13
 ANGLES EXCEPT 90° ± 10°
 MAXIMUM SURFACE ROUGHNESS 125√

MATERIAL:	1	CUSTOMER DRAWING NUMBER:	 1400 FULTON PL. UNIT A FREMONT CA 94539		
FINISH:	2	CUSTOMER PART NUMBER:	NAME: TRANSFORMER HEAT SINK ASSY 3		
DRAWN BY:	Long	COFAN DRAWING NUMBER:	30-1240	SCALE:	1:1
APPR BY:	Mark.S 7/27/07	COFAN PART NUMBER:	30-1240	CUS REV:	01
				COF REV:	03
				SHEET:	1 OF 1
				DATE DRAWN:	Dec-21-2006

Cofan USA, Inc.
46177 Warm Springs Blvd
Fremont, CA 94539
USA

TEL: (510) 490-7533
FAX: (510) 490-7931
www.cofan-usa.com

SPECIFICATION FOR APPROVAL

Rev 01

1. SCOPE:

This specification defines the electrical and mechanical characteristics of the following DC brushless axial flow fan:

Item		Description	
1-1	Part Number	F-4008H12B	
1-2	Outline Dimensions	40 x 9.6mm	
1-3	Bearing System	2 Ball Bearing	
1-4	Rated Voltage	12 VDC	
1-5	Operating Voltage	9 – 13.8 VDC	
1-6	Input Current	0.18 A	
1-7	Input Power	2.88W	
1-8	Speed	9000 R.P.M.	a. 25°C, 65% RH, b. Free Air c. Rated Voltage
1-9	Max. Air Flow (At zero static pressure)	8.91 CFM 0.252 CMM	a. Rated Voltage b. AMCA Standard
1-10	Max. Air Pressure (At zero airflow)	0.183 in H ₂ O 4.64 mm H ₂ O	c. Rated Current
1-11	Acoustical Noise (Avg)	35.5 dBA	a. Rated Voltage b. Measured in a Non-Echo Chamber c. CNS 8753 Standard d. ISO 3744 Test Condition
1-12	Life Expectance	988,959 Hours 349,610 Hours	a. 25°C b. 40°C
1-13	Insulation Type	UL: Class A	
1-14	Weight	9 Grams	
1-15	Rotation	Clockwise from label side	

2. Major Material

Materials / Parts	Specification	Remarks
Plastic Material	Frame: PBT70%: + FIBER30%	UL: 94V-0
	Impeller: PBT85% + FIBER15%	UL: 94V-0
Lead Wire	26 or 28 AWG	UL: 1007-F
Connector	Per Drawing (we can install connector per your requirement)	

3. Electrical Characteristics & Test Environmental:

Item	Specification / Condition
3-1	Operation Temperature -10°C ~ +70°C
3-2	Storage Temperature -40°C ~ +75°C
3-3	Operating Humidity 5 to 90% RH
3-4	Storage Humidity 5 to 95% RH
3-5	Locked Rotor Protection <ul style="list-style-type: none"> a. The current will shut down when rotation is locked b. Automatic restart after a continuous 72 hours rotation lock at rated voltage. c. Impedance of motor winding protects motor from fire after 72 hours of locked rotor condition at the rated voltage. d. Signal Alarm- Optional
3-6	Insulation Strength 10Meg Ohm min at 500VDC Between Frame and (+) terminal
3-7	Dielectric Strength Withstand 5 mA Max 500 VAC 60 Hz for one minute, (between frame and (+) terminal)
3-8	Vibration Test Vibration test in rest status, scan frequency : 5~55Hz 1OCT/Min. in the 3 directions(X.Y.Z), take 16 rotating scan for each axis.
3-9	Shock Test Test of acceleration 30G is applied in the 3 directions (X.Y.Z) and 6 faces, take 11± 1ms(Half Chord Wave), 3 times for each face.
3-10	Noise Level Measured in a semi-anechoic chamber. The fan is running in free air with Microphone at a distance of one meter from the fan intake.
3-11	Tolerance ±10% on rated power and current.
3-12	Polarity Protection Capable of withstanding reverse polarity connection

4. Safety Approvals

Safety Approvals	File No.
UL	E195760
CUL	E195760
TUV	EN5008-1
CE	B 04 03 52557 002

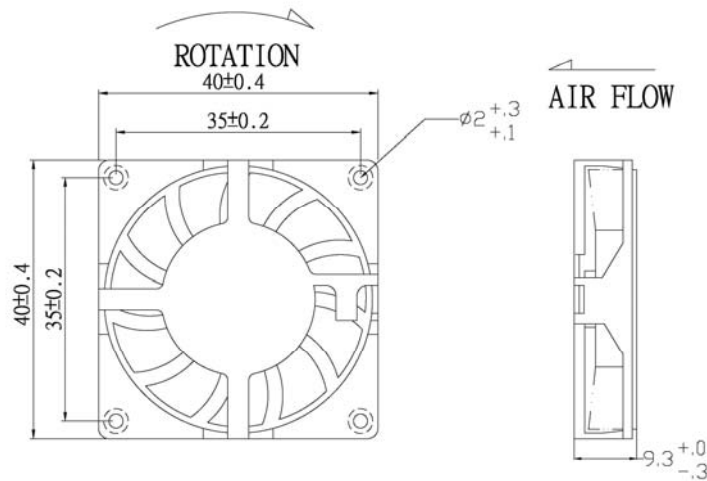
5. Ozone Depleting Substances and RoHS Compliance

5-1. This fan and the manufacturing process that is used to manufacture this fan does not contain or require the use of ozone-depleting chemicals such as PBB's, PBBO's, CFC's, PBBE's, PBDPE's or HCFC's. Furthermore, this fan and all parts associated with this fan (including packaging, housings, and pins) is compliant with 2002/95/EC of the European Parliament and of the Council of 27th January, 2003 on the restriction on the use of certain hazardous substances in electrical and electronic equipment.

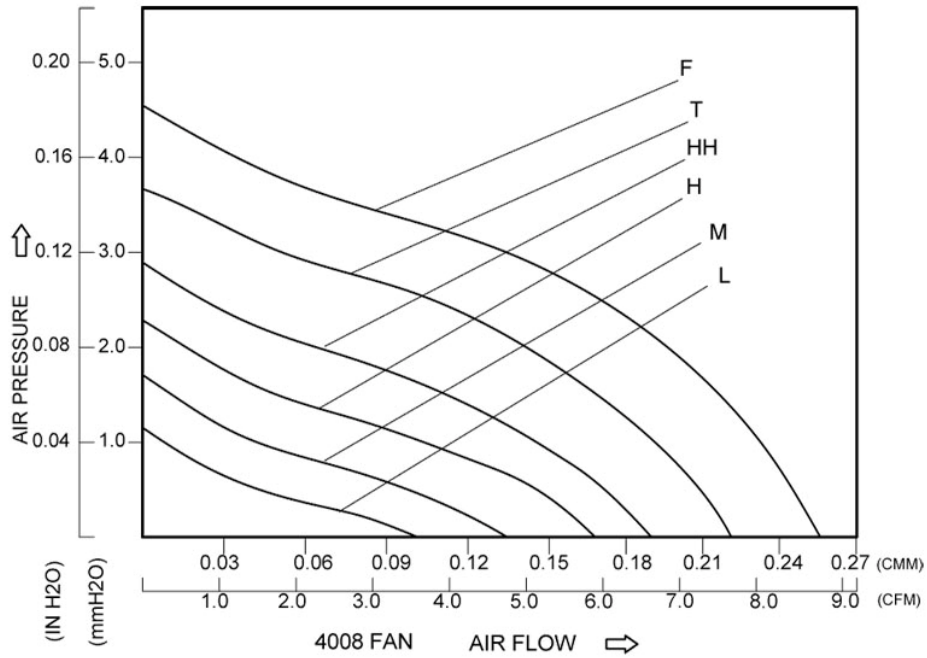
6. Production Location

6-1. Products will be produced in China and Taiwan

7. Dimensional Drawing



8. Performance Curve



9. Tachometer Pulse Sensor Description

A. Output Circuit: Open Collector Type

B. 2 Pulses Per Revolution

