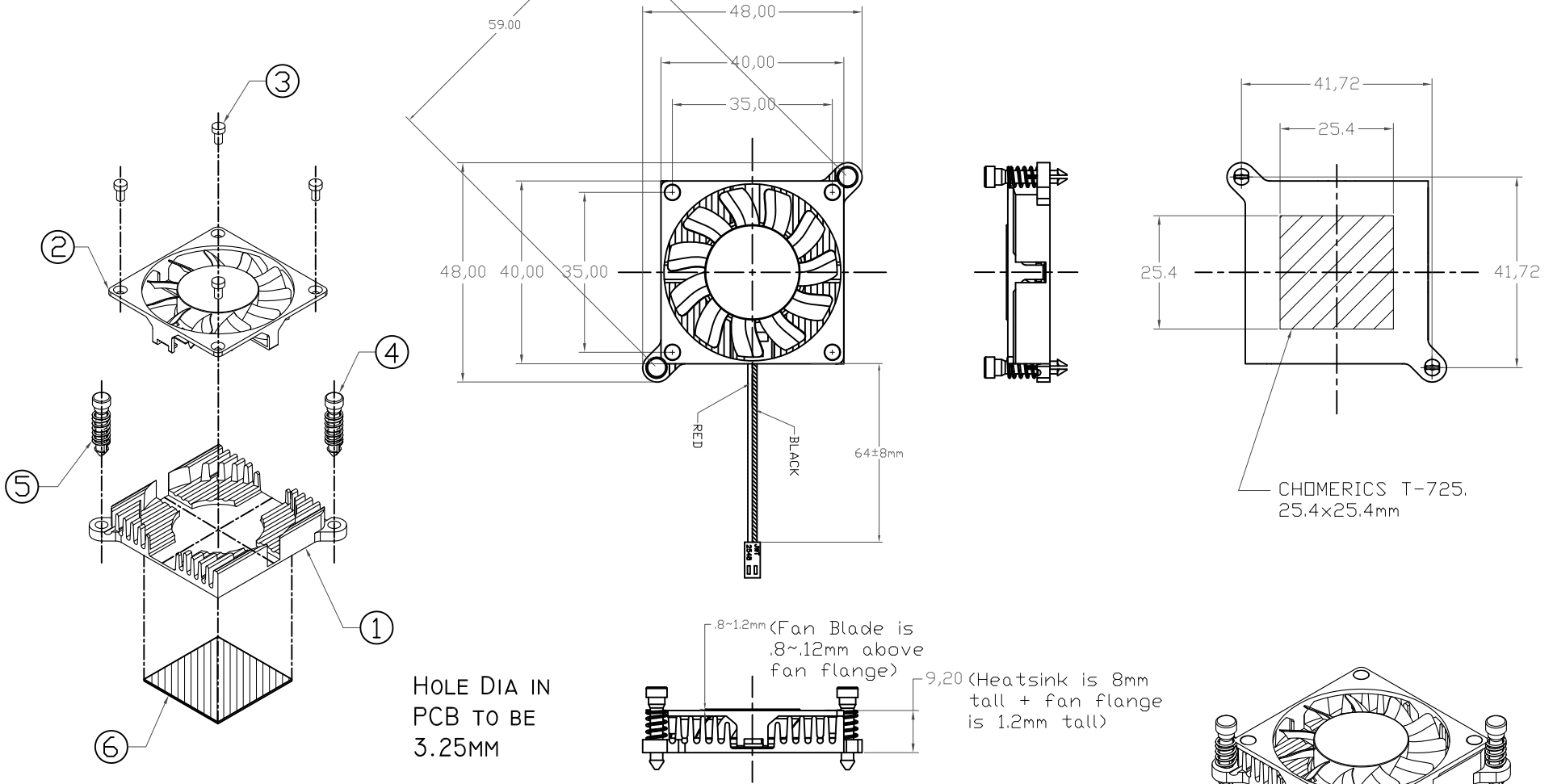


NOTICE - PROPRIETARY INFORMATION
 THE DESIGN AND RELATED INFORMATION CONTAINED HEREIN
 IS THE SOLE PROPERTY OF COFAN INC. THE DISCLOSURE
 OF THIS INFORMATION DOES NOT CONSTITUTE THE RELEASE OF
 ANY PROPRIETARY RIGHTS THEREIN. PERMISSION TO REPRODUCE
 THIS INFORMATION OR THE PRODUCTS DISCLOSED HEREIN
 MUST BE OBTAINED IN WRITING FROM COFAN INC.

REVISION HISTORY					
REV	DESCRIPTION	DRWN	CHK'D	APPVD	DATE



RoHS
 COMPLIANT
 2002/95/EC

THERMAL RESISTANCE:
 APPROX 1.53C/W

⑥	THERMAL TAPE	70-1008	Chomerics T-725	1
⑤	SPRING	50-1008	Spring Steel, / Nickel Plate.	2
④	BRASS PIN	50-1082	Brass, / Degrease.	2
③	SCREW	60-1030	Stainless Steel, / Black Zinc Plate.	4
②	DC FAN	F-4008FH12B-01	DC Fan: 40x40x8.3mm	1
①	HEAT SINK	20-2066	AL 6061-T5, / Black anodize.	1
Item	Part Description	Part Number	Material and Finish	Q'ty

DO NOT SCALE DRAWING <small>UNLESS OTHERWISE SPECIFIED DIMENSIONS ARE IN MILLIMETRE TOLERANCES ARE:</small> 1 PLACE .X ± 0.3 2 PLACE .XX ± 0.2 3 PLACE .XXX ± 0.13 ANGLES EXCEPT 90° ± 0.5° MAXIMUM SURFACE ROUGHNESS 3.2√	MATERIAL:	N/A	CUSTOMER DRAWING NUMBER:	 <small>1400 FULTON PL. UNIT A FREMONT CA 94539</small>		
	FINISH:	N/A	CUSTOMER PART NUMBER:	NAME: FAN HEATSINK, 12V		
	DRAWN BY:	<i>Long</i>	COFAN DRAWING NUMBER:	30-1460	SCALE:	1:1
	APPR BY:		COFAN PART NUMBER:	30-1460	CUS REV:	-
SHEET:			1 OF 1	DATE DRAWN:		Jan-27-2007