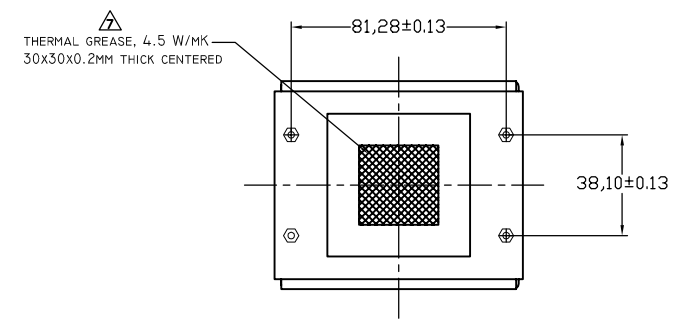
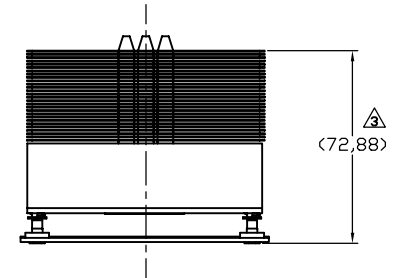
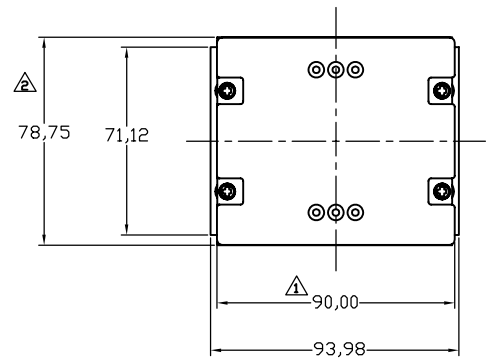
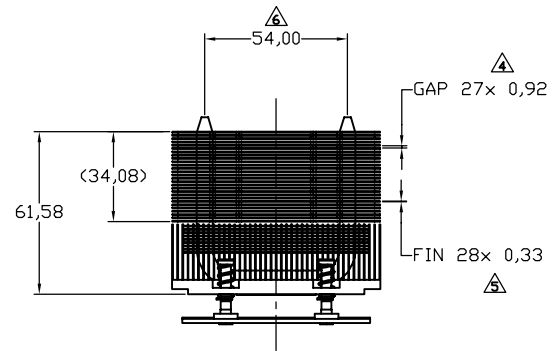
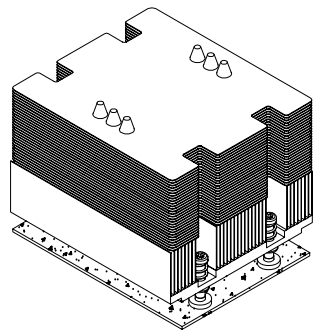
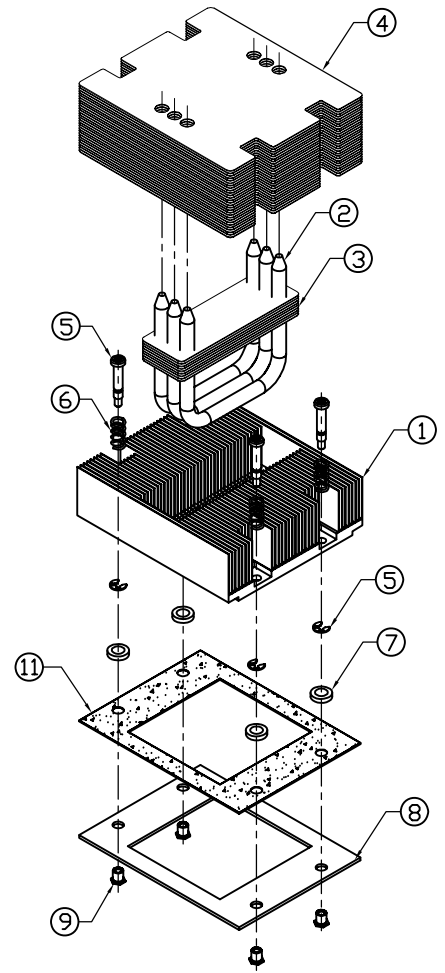


NOTICE - PROPRIETARY INFORMATION
 THE DESIGN AND RELATED INFORMATION CONTAINED HEREIN IS THE SOLE PROPERTY OF COFAN INC. THE DISCLOSURE OF THIS INFORMATION DOES NOT CONSTITUTE THE RELEASE OF ANY PROPRIETARY RIGHTS THEREIN. PERMISSION TO REPRODUCE THIS INFORMATION OR THE PRODUCTS DISCLOSED HEREIN MUST BE OBTAINED IN WRITING FROM COFAN INC.

REVISION HISTORY					
REV	DESCRIPTION	DRWN	CHK'D	APPVD	DATE
01	Initial Release	Long	---	---	Mar-09-07
02	Change the bottom plate hole from Ø6.0mm to Ø4.0mm. Use new HEX PEM. Added insulation gasket to the backing plate facing up	Long	Jun.W	---	Jul-12-07



⑪	INSULATION GASKET	50-1265	01	FORMEX GK-5BK W/ 3M 467MP ON BOTH SIDES	1
⑩	THERMAL GREASE	50-1087	01	STARS-801 30 X 38 X .2MM	15g
⑨	HEX PEM Nut	50-1252	01	STAINLESS STEEL(316), HRC 58°-60°C, PASSIVATE	4
⑧	BOTTOM PLATE	20-1569	02	SUS304/PASSIVATION	1
⑦	RUBBER SPACER	50-1215	01	ONE SIDE 3M ADHESIVE	4
⑥	SPRING	50-1214	01	SPRING STEEL, ZINC PLATE.	4
⑤	M3 SCREW AND CLIP	60-1162	01	SCREW: SAE1018; CLIP: SB50C; NICKEL PLATE.	4
④	FIN	20-1568-2	01	CU 1100 / ANTI-OXIDATION	9
③	FIN	20-1568-1	01	CU 1100 / ANTI-OXIDATION	28
②	HEAT PIPE	90-1016	01	CU Ø6.0MM, ANTI-OXIDATION	3
①	HEAT SINK	20-1567	01	CU 1100 / ANTI-OXIDATION	1
ITEM	ITEM NAME	COFAN P/N	REV	DESCRIPTION	QTY

DO NOT SCALE DRAWING		NAME:	DATE:	CUSTOMER DRAWING NUMBER:	COFAN USA		
UNLESS OTHERWISE SPECIFIED DIMENSIONS ARE IN MILLIMETRE TOLERANCES ARE:		DRAWN BY:	Long	7/12/07	46177 WARM SPRINGS BLVD FREDRICK CA 94539		
1 PLACE X	±	CHECKED BY:	Jun.W	7/12/07	CUSTOMER PART NUMBER:	HEAT SINK ASSY XEON 5345	
2 PLACE XOX	*	CHECKED BY:	Ivan.C	7/12/07	COFAN DRAWING NUMBER:	SCALE:	CUS REV:
3 PLACE XOX	*	APPR BY:	Mark.S	7/12/07	30-1487	1:1	01
ANGLES EXCEPT 90°	±				COFAN PART NUMBER:	SHEET:	DATE DRAWN:
MAXIMUM SURFACE ROUGHNESS	6.4				30-1487	1 OF 1	Jul-12-2007