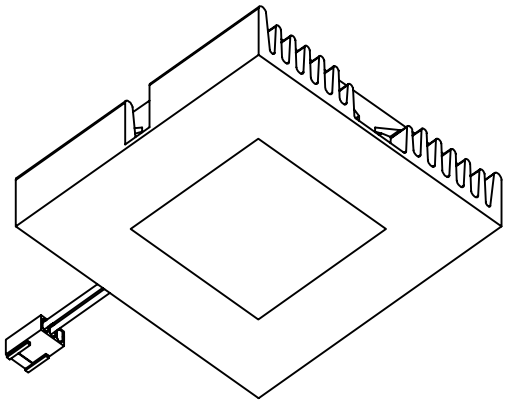
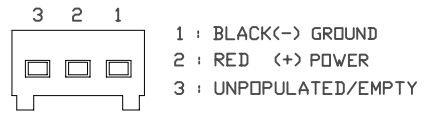
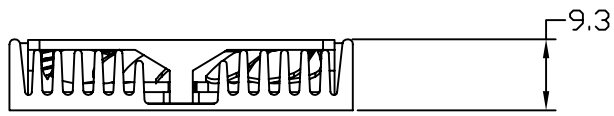
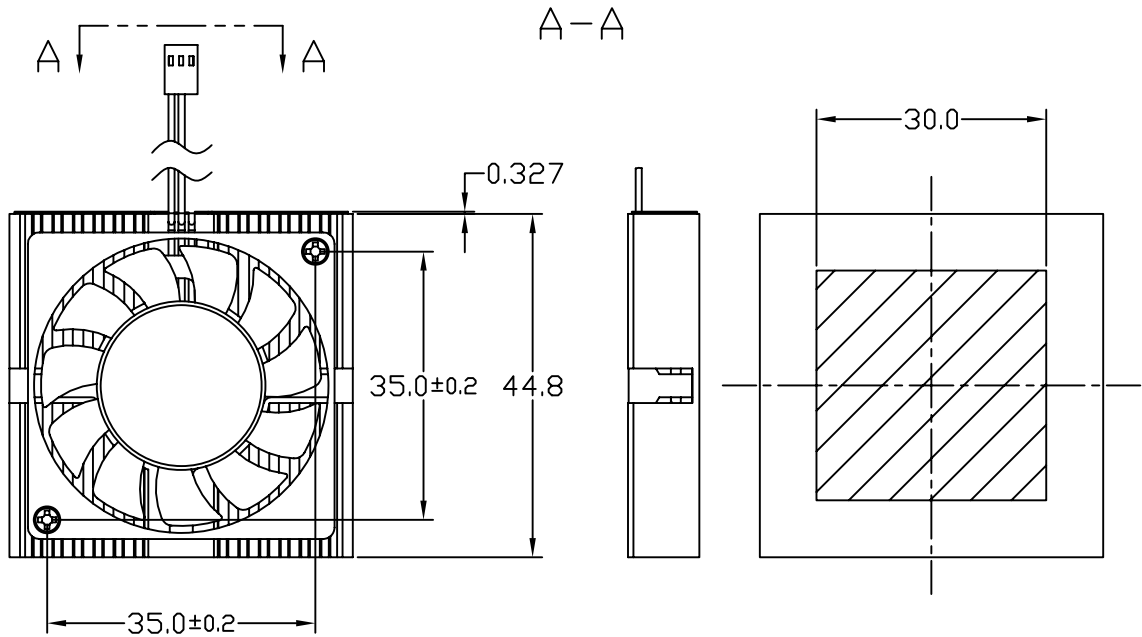
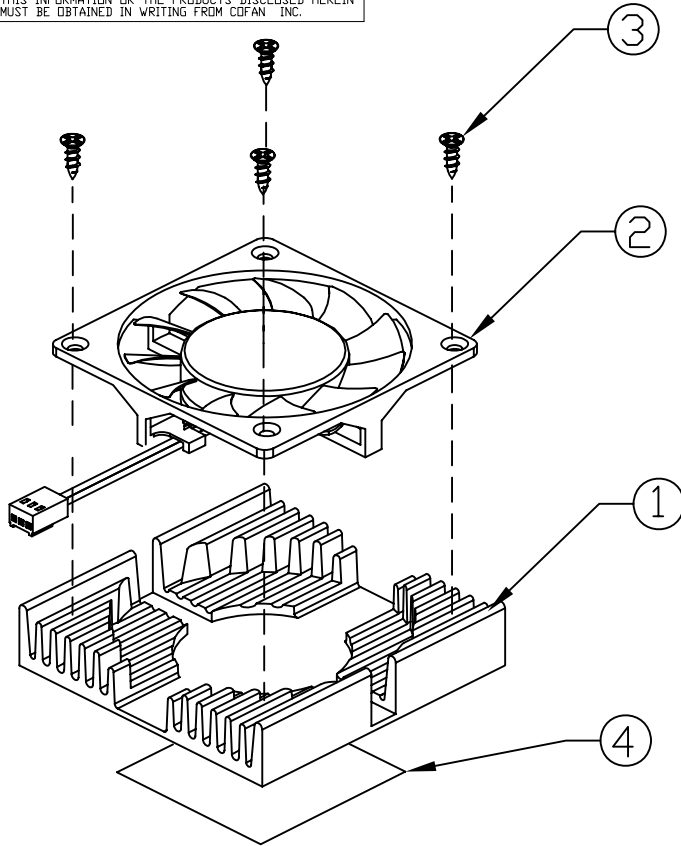


NOTICE - PROPRIETARY INFORMATION
 THE DESIGN AND RELATED INFORMATION CONTAINED HEREIN
 IS THE SOLE PROPERTY OF COFAN INC. THE DISCLOSURE
 OF THIS INFORMATION DOES NOT CONSTITUTE THE RELEASE OF
 ANY PROPRIETARY RIGHTS THEREIN. PERMISSION TO REPRODUCE
 THIS INFORMATION OR THE PRODUCTS DISCLOSED HEREIN
 MUST BE OBTAINED IN WRITING FROM COFAN INC.



④	THERMAL TAPE, BONDPLY 100	70-1020	A	2
③	SCREW, M2x5	60-1030	A	4
②	DC FAN, 40x40x8	F-4008H05B	B	1
①	Heatsink, AL, Black Anodize	20-1130	A	1
Item	Part Description	Part Number	REV	QTY

BOM SHEET

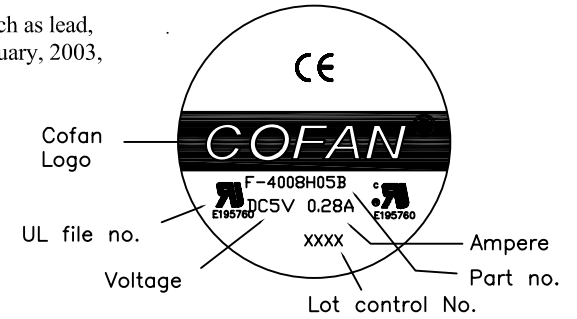
DO NOT SCALE DRAWING UNLESS OTHERWISE SPECIFIED DIMENSIONS ARE IN MILLIMETRE TOLERANCES ARE: 1 PLACE .X ± 0.4 2 PLACE .XX ± 0.25 3 PLACE .XXX ± 0.13 ANGLES EXCEPT 90° ± 1° MAXIMUM SURFACE ROUGHNESS 125√	MATERIAL:	CUSTOMER DRAWING NUMBER:	COFAN USA 46177 WARM SPRINGS BLVD FREMONT CA 94539		
	FINISH:	CUSTOMER PART NUMBER:	NAME: FAN HEATSINK, 5V		
DRAWN BY:	COFAN DRAWING NUMBER:	SCALE:	CUS REV:	COF REV:	
	<i>Dan</i>	30-1615	1:1	- B	
APPR BY:	COFAN PART NUMBER:	SHEET:	DATE DRAWN:		
	30-1615	1 OF 1	3-23-2005		

Note: This fan and all parts associated with this fan (including packaging, housings, and pins) either does not contain any hazardous substances such as lead, mercury, or PCB's, or is below acceptable levels, and is in compliance with 2002/95/EC of the European Parliament and of the Council of 27th January, 2003, on the restriction on the use of certain hazardous substances in electrical and electronic equipment.

TO ORDER FAN PER THIS DRAWING USE COFAN PART # F-4008H05B
THIS FAN IS ROHS COMPLAINT.

DC BRUSHLESS FAN
40 x 40 x 8.3 mm

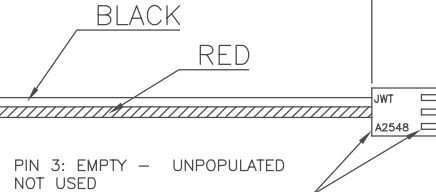
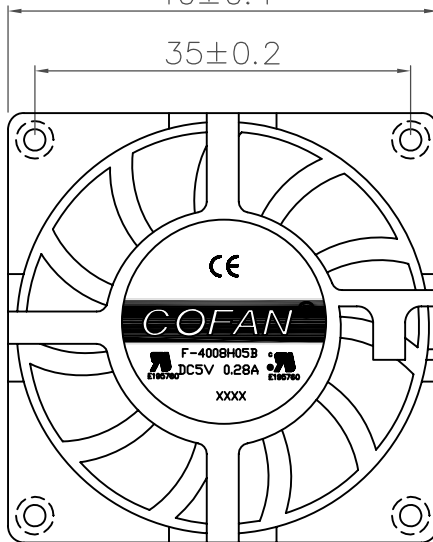
UL/CUL# E195760
TUV# B 04 03 52557 03
CE# EN50081-1



ROTATION

40±0.4

35±0.2

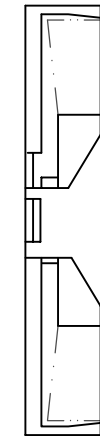


COFAN ORDERING PART # F-4008H05B

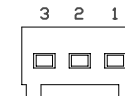
Bearing Type: 2 Ball Bearing, 124K Hrs MTBF @ 25C,
70K Hrs @ 45C

Lead time - 2.5 to 3 weeks
To place order, call Ben at (800) 766-6097 or email to
ben@cofan-usa.com

AIR FLOW



8.3±0.2



1 : BLACK(-) GROUND
2 : RED (+) POWER
3 : UNPOPULATED/EMPTY

PARTS LIST

- ① 1X MOLEX HOUSING 22-01-3037 OR EQUIV. (OUR EQUIVALENT IS JWT A2548H00-3P)
2X MOLEX TERMINAL 08-50-0113 OR EQUIV. (OUR EQUIVALENT IS JWT A25432T0P-2)
- ② 1X FAN, COFAN MODEL F-4008H05B - 2 WIRE WITH CONNECTOR

MODEL NO	RATED VOLTAGE V	OPERATING VOLTAGE V	RATED CURRENT A	ACTUAL CURRENT A	RATED POWER W	RATED SPEED RPM	MAX AIR FLOW @ 2800 RPM		MAX PRESSURE @ 2800 RPM		NOISE LEVEL dBA
							CMM	CFM	mmH ₂ O	InH ₂ O	
F-4008H05B	5	4.5~5.5	0.28	0.11	1.40	6000	0.168	5.92	2.26	0.089	26.6

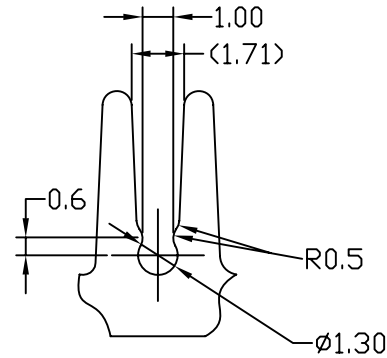
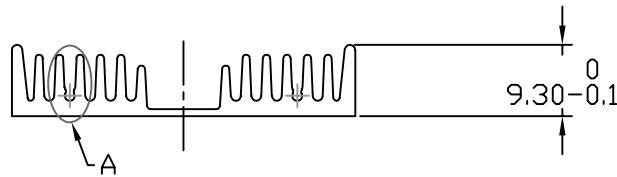
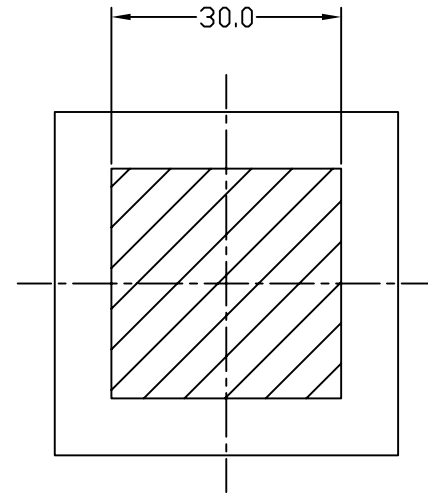
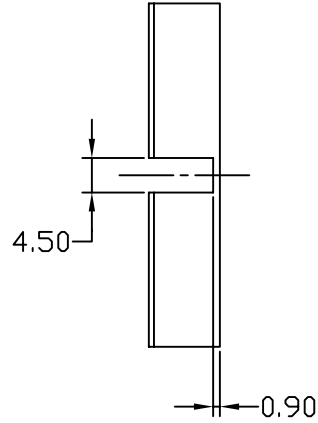
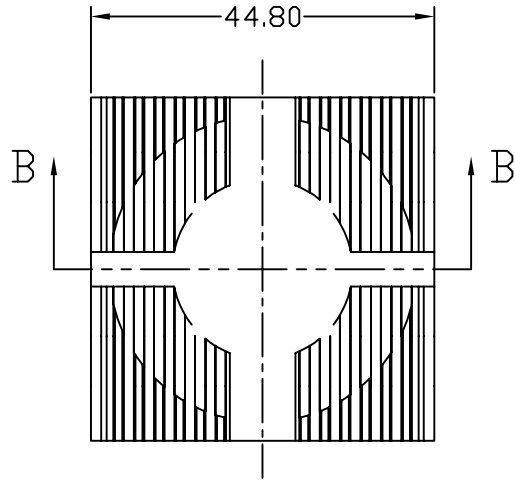
DO NOT SCALE DRAWING

UNLESS OTHERWISE SPECIFIED
DIMENSIONS ARE IN MILLIMETRE
TOLERANCES ARE

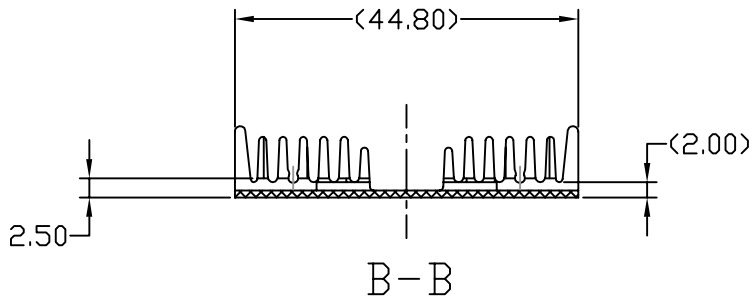
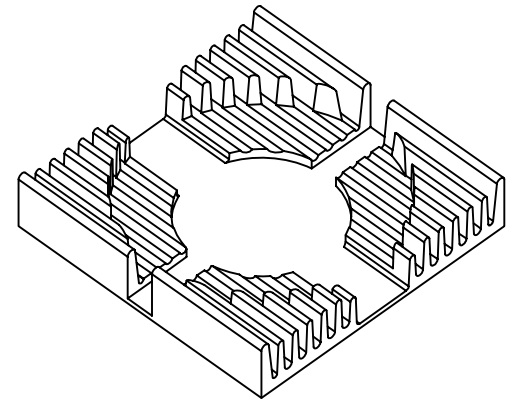
1 PLACE .X	± 0.4
2 PLACE .XX	± 0.25
3 PLACE .XXX	± 0.13
ANGLES EXCEPT 90°	± 1°
MAXIMUM SURFACE ROUGHNESS	125√

DRAWING NUMBER: F-4008H05B		COFAN USA 46177 WARD SPRINGS BLVD FREMONT CA 94539	
MATERIAL:		FAN, 40x8mm, 6000 RPM, 5V, 2 Ball, Connector, RoHS	
FINISH:		PART NUMBER: F-4008H05B	
DRAWN BY: DAN		REV: B	
ENGINEER:		SHEET:	
		DATE DRAWN: 03-23-05	
		SCALE: 1 : 1	

NOTICE - PROPRIETARY INFORMATION
 THE DESIGN AND RELATED INFORMATION CONTAINED HEREIN
 IS THE SOLE PROPERTY OF COFAN INC. THE DISCLOSURE
 OF THIS INFORMATION DOES NOT CONSTITUTE THE RELEASE OF
 ANY PROPRIETARY RIGHTS THEREIN. PERMISSION TO REPRODUCE
 THIS INFORMATION OR THE PRODUCTS DISCLOSED HEREIN
 MUST BE OBTAINED IN WRITING FROM COFAN INC.

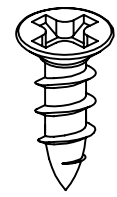
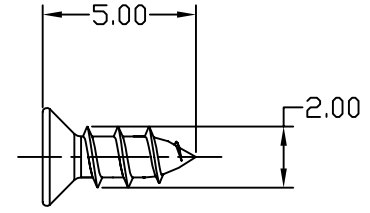
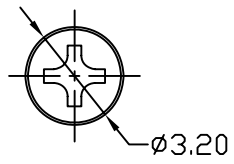



DETAIL A
 SCALE 4:1



DO NOT SCALE DRAWING UNLESS OTHERWISE SPECIFIED DIMENSIONS ARE IN MILLIMETRE TOLERANCES ARE: 1 PLACE .X ± 0.4 2 PLACE .XX ± 0.25 3 PLACE .XXX ± 0.13 ANGLES EXCEPT 90° ± 1° MAXIMUM SURFACE ROUGHNESS 125√	MATERIAL:	CUSTOMER DRAWING NUMBER:	COFAN USA 46177 WARM SPRINGS BLVD FREMONT CA 94539		
	AL 6063-T5	-	CUSTOMER PART NUMBER:	NAME: HEAT SINK	
	FINISH:	CUSTOMER DRAWING NUMBER:	SCALE:	CUS REV:	COF REV:
	Black Anodize	-	1:1	-	A
DRAWN BY:	COFAN DRAWING NUMBER:	SHEET:		DATE DRAWN:	
Dan	30-1065	1 OF 1		Jun-14-2004	
APPR BY:	COFAN PART NUMBER:				
	30-1065				

NOTICE - PROPRIETARY INFORMATION
 THE DESIGN AND RELATED INFORMATION CONTAINED HEREIN
 IS THE SOLE PROPERTY OF COFAN INC. THE DISCLOSURE
 OF THIS INFORMATION DOES NOT CONSTITUTE THE RELEASE OF
 ANY PROPRIETARY RIGHTS THEREIN. PERMISSION TO REPRODUCE
 THIS INFORMATION OR THE PRODUCTS DISCLOSED HEREIN
 MUST BE OBTAINED IN WRITING FROM COFAN INC.



DO NOT SCALE DRAWING <small>UNLESS OTHERWISE SPECIFIED DIMENSIONS ARE IN MILLIMETRE TOLERANCES ARE:</small> 1 PLACE .X ± 0.4 2 PLACE .XX ± 0.25 3 PLACE .XXX ± 0.13 <small>ANGLES EXCEPT 90° ± 1°</small> <small>MAXIMUM SURFACE ROUGHNESS</small> 125√	MATERIAL:	CUSTOMER DRAWING NUMBER:	 COFAN USA <small>46177 WARM SPRINGS BLVD FREMONT CA 94539</small>		
	FINISH:	CUSTOMER PART NUMBER:	NAME: SCREW(COUNTERSUNK)		
	DRAWN BY:	COFAN DRAWING NUMBER:	SCALE:	CUS REV:	COF REV:
	APPR BY:	COFAN PART NUMBER:	SHEET:	DATE DRAWN:	
	STEEL	-	4:1	A	1 OF 1
	BLACK ZINC PLATED	-			
	<i>Dan</i>	AST4001SCREW			
		AST4001SCREW			Jun-14-2004