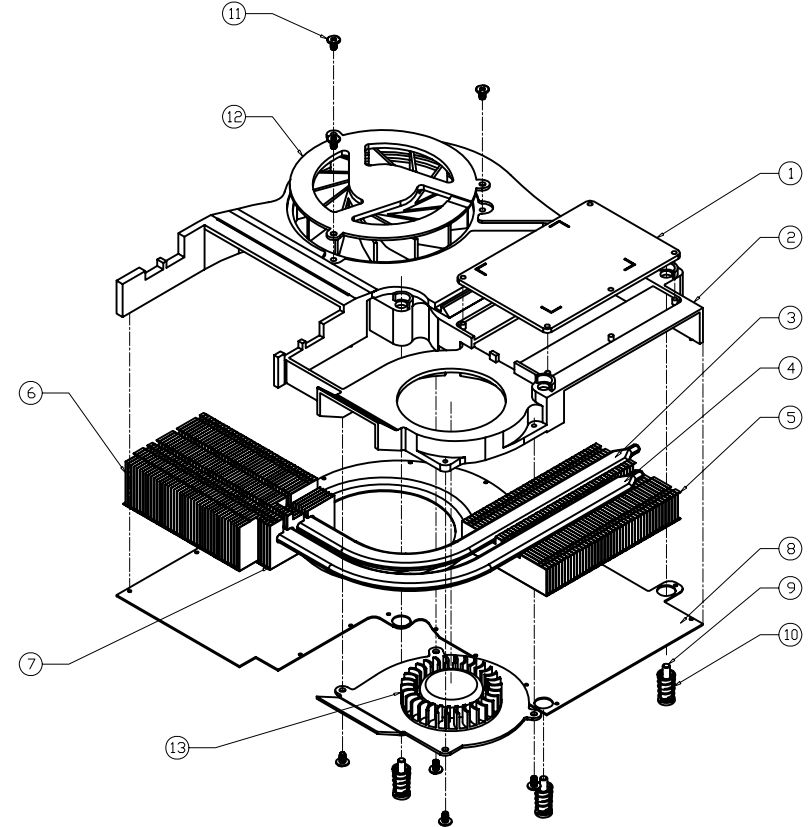
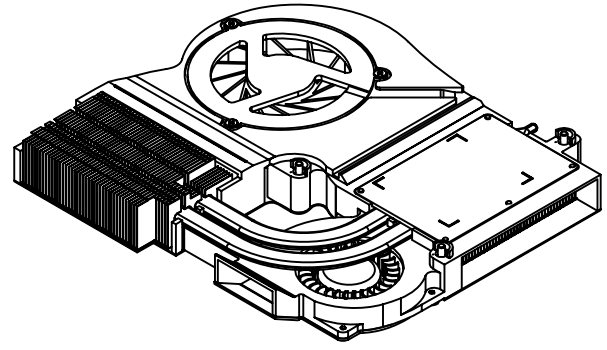
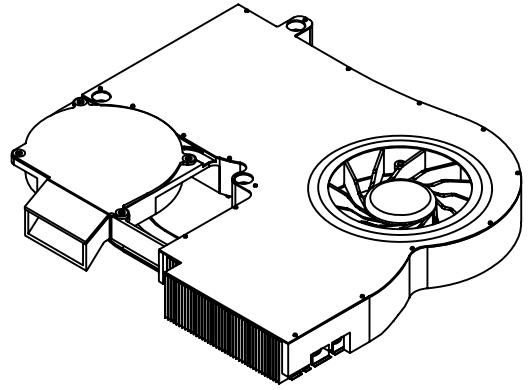


NOTICE - PROPRIETARY INFORMATION
 THE DESIGN AND RELATED INFORMATION CONTAINED HEREIN IS THE SOLE PROPERTY OF COFAN USA INC. THE DISCLOSURE OF THIS INFORMATION DOES NOT CONSTITUTE THE RELEASE OF ANY PROPRIETARY RIGHTS THEREIN. PERMISSION TO REPRODUCE THIS INFORMATION OR THE PRODUCTS DISCLOSED HEREIN MUST BE OBTAINED IN WRITING FROM COFAN USA INC.

| REVISION HISTORY | | | | | |
|------------------|-------------|------|-------|-------|------|
| REV | DESCRIPTION | DRWN | CHK'D | APPVD | DATE |
| - | - | - | - | - | - |

- NOTES?
1. MATERIAL? ----
 2. FINISH? ----
 3. DEBURR AND BREAK ALL SHARP EDGES..
 4. \triangle IS CRITICAL INSPECTION POINT. NUMBERING IN TRIANGLE IS TO BE USED FOR CROSS REFERENCE OF INSPECTION REPORT TO DRAWING DIMENSION OR FEATURE.
 5. ALL DIMENSIONS TO INCLUDE APPLICABLE FINISH.
 6. PART GROSS WEIGHT: XXX g/Pcs.



| 13 | B-3510M05B | Blower 3510 | 01 | 1 |
|------|------------|-----------------------------|-----|-----|
| 12 | B-6015L05B | Blower 6015 | 01 | 1 |
| 11 | 60-1197 | M2x4mm Screw steel | 01 | 7 |
| 10 | 50-1296 | Spring Music wire | 01 | 3 |
| 9 | 60-1196 | M2.5x 15mm Screw steel | 01 | 3 |
| 8 | 20-3091 | Cover Al | 01 | 1 |
| 7 | 20-3090 | Fin2 Cut 0.2mm thick copper | 01 | 6 |
| 6 | 20-3089 | Fin2 0.2mm thick copper | 01 | 40 |
| 5 | 20-3088 | Fin1 0.2mm thick copper | 01 | 44 |
| 4 | 91-1028 | Heatpipe2 copper | 01 | 1 |
| 3 | 91-1027 | Heatpipe1 copper | 01 | 1 |
| 2 | 20-3087 | Main_Body Al 6063 | 01 | 1 |
| 1 | 20-3086 | Cu Plate | 01 | 1 |
| ITEM | COFAN P/N | DESCRIPTION | REV | QTY |

| | | | | | | |
|---|--------|-------------|-----------------|--------------------------|--------|--|
| DO NOT SCALE DRAWING | | NAME: | DATE: | CUSTOMER DRAWING NUMBER: | | 46177 WARM SPRINGS BLVD FREMONT CA 94539 |
| UNLESS OTHERWISE SPECIFIED DIMENSIONS ARE IN MILLIMETRE TOLERANCES ARE: | | DRAWN BY: | Jun.W 08/31/07 | [----] | | |
| 1 PLACE .X | ± 0.4 | CHECKED BY: | IceMan 08/31/07 | CUSTOMER PART NUMBER: | | NAME: Thermal Module Assembly |
| 2 PLACE .XX | ± 0.25 | CHECKED BY: | | [----] | | |
| 3 PLACE .XXX | ± 0.13 | CHECKED BY: | | COFAN DRAWING NUMBER: | SCALE: | CUS REV: |
| ANGLES EXCEPT 90° | ± 0.5° | APPR BY: | | 30-1677 | NONE | 01 |
| MAXIMUM SURFACE ROUGHNESS | 6.4√ | | | COFAN PART NUMBER: | SHEET: | DATE DRAWN: |
| | | | | 30-1677 | 1 OF 3 | Aug-31-2007 |

ROHS
 COMPLIANT
 2002/95/EC