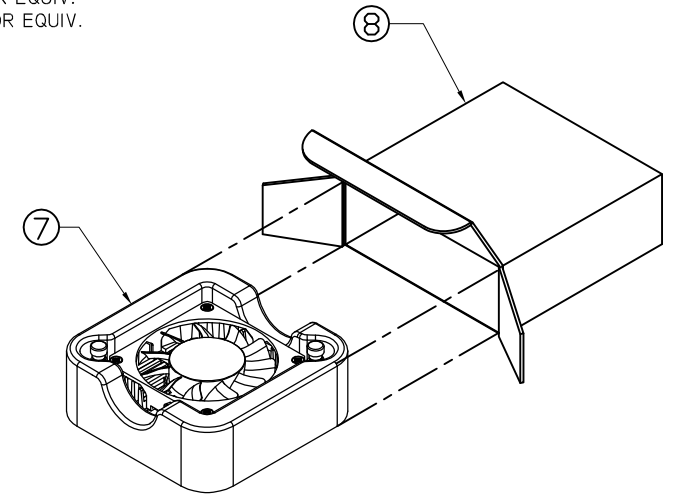
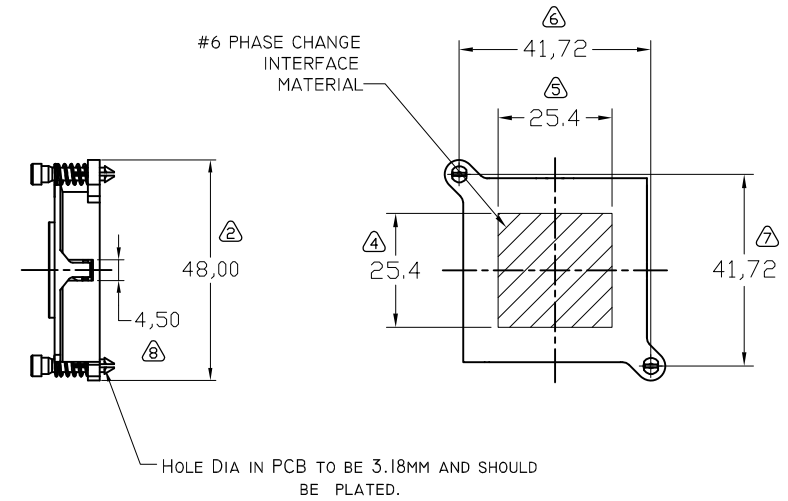
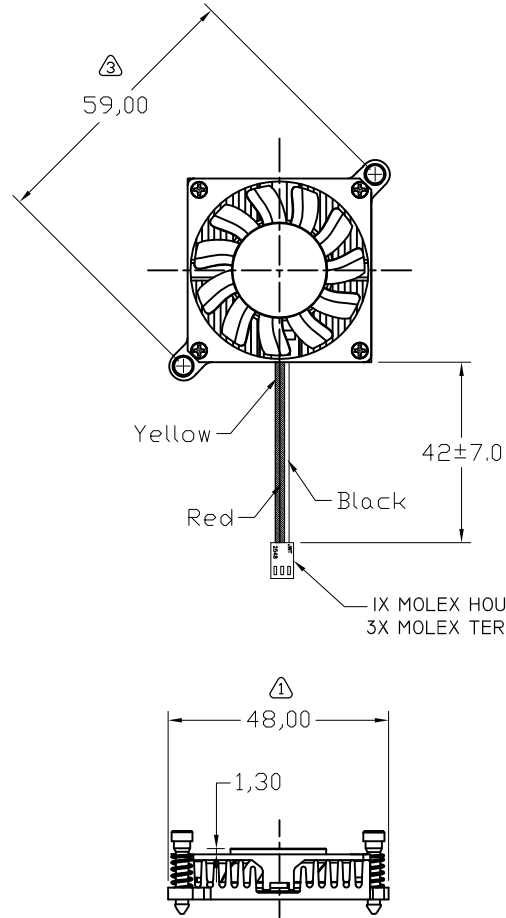
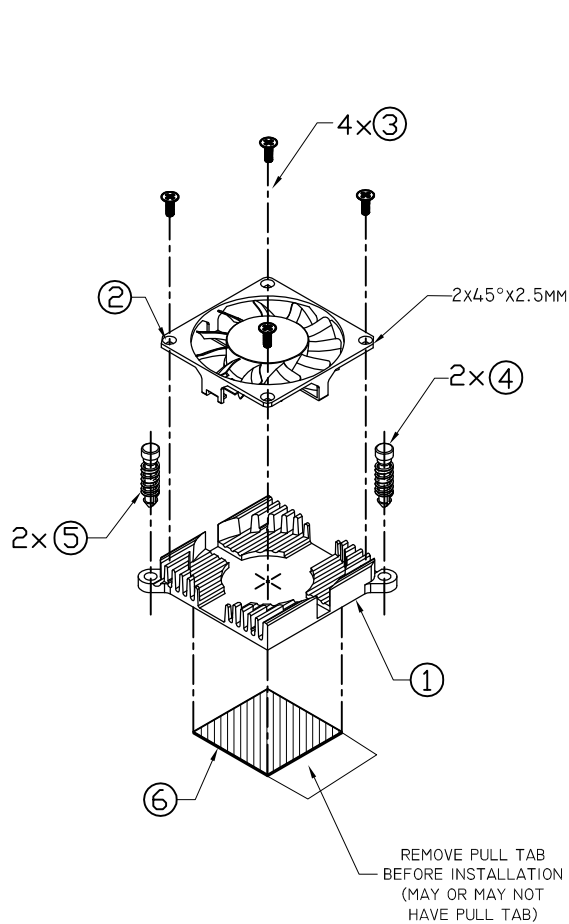


NOTICE - PROPRIETARY INFORMATION
 THE DESIGN AND RELATED INFORMATION CONTAINED HEREIN IS THE SOLE PROPERTY OF COFAN INC. THE DISCLOSURE OF THIS INFORMATION DOES NOT CONSTITUTE THE RELEASE OF ANY PROPRIETARY RIGHTS THEREIN. PERMISSION TO REPRODUCE THIS INFORMATION OR THE PRODUCTS DISCLOSED HEREIN MUST BE OBTAINED IN WRITING FROM COFAN INC.

RoHS
 COMPLIANT
 2002/95/EC

REVISION HISTORY					
REV	DESCRIPTION	DRWN	CHK'D	APPVD	DATE
01	Initial Release	Long	---	---	10-11-07
02	Increase heat sink base thickness from 0.9 to 1.5mm Add 45 degree cuts on both sides heatsink and fan	Long	---	---	11-06-07



Thermal Resistance: Approx 2.1 C/W

⑧	Box	30-1742 Box	WEB or WEC	1
⑦	PVC	30-1742 PVC	PCV T=0.4mm.	1
⑥	THERMAL TAPE	70-1077 DR 70-1078 DR	HDNEYWELL PCM45F, 25X25MM DR LAIRD T-PCM585, 25X25MM	1
⑤	SPRING	50-1008 Rev 01	Spring Steel, / Nickel Plate.	2
④	BRASS PIN	50-1016 Rev 01	Brass, / Passivate	2
③	SCREW	60-1098 Rev 01	Steel, Black Zinc plated, M2 x 4	4
②	DC FAN	F-4008H12B-05 Rev 02	12V DC Fan: 40x40x9.6mm, 2 Ball, 6000 RPM	1
①	HEAT SINK	20-2066 Rev 02	AL 6061-T5, / Black anodize.	1
Item	Part Description	Part Number	Material and Finish	Q'ty

DO NOT SCALE DRAWING
 UNLESS OTHERWISE SPECIFIED
 DIMENSIONS ARE IN MILLIMETRE
 TOLERANCES ARE:
 1 PLACE .X ± 0.3
 2 PLACE .XX ± 0.2
 3 PLACE .XXX ± 0.13
 ANGLES EXCEPT 90° ± 0.5°
 MAXIMUM SURFACE ROUGHNESS 3.2√

MATERIAL:	N/A	CUSTOMER DRAWING NUMBER:	COFAN USA 1400 FULTON PL. UNIT A FREMONT CA 94539		
FINISH:	N/A	CUSTOMER PART NUMBER:	NAME: FAN HEATSINK, 12V, 6000 RPM		
DRAWN BY:	Long	COFAN DRAWING NUMBER:	SCALE:	CUS REV:	COF REV:
APPR BY:		30-1742	1:1	-	02
		COFAN PART NUMBER:	SHEET:	DATE DRAWN:	
		30-1742	1 OF 1	Oct-11-2007	