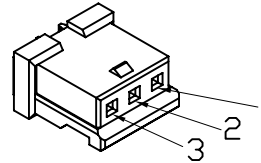


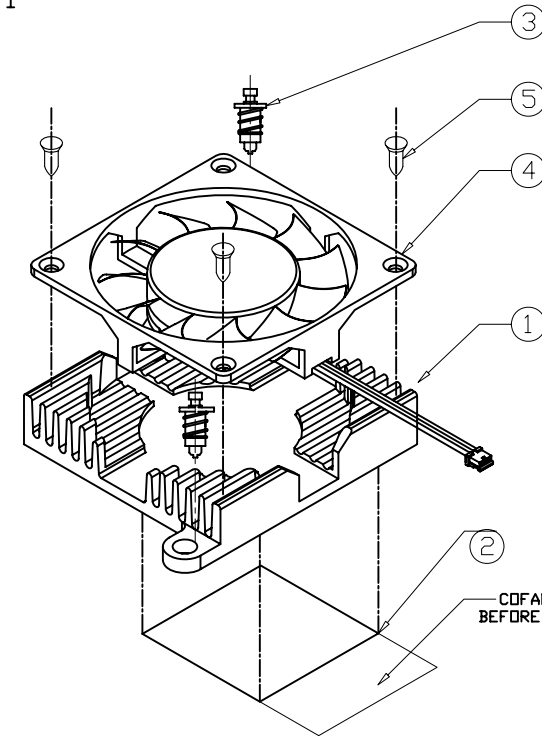
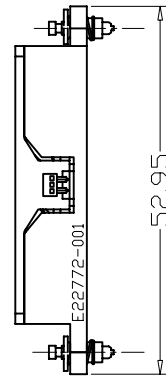
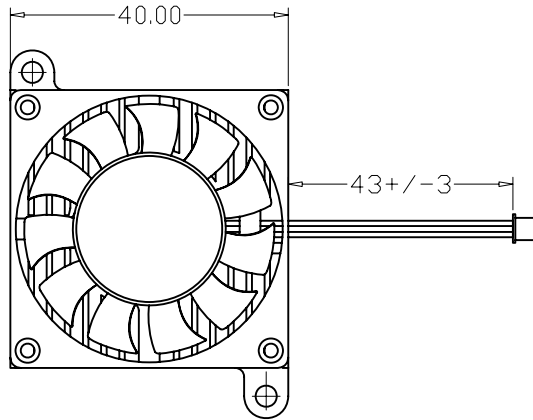
NOTICE - PROPRIETARY INFORMATION  
 THE DESIGN AND RELATED INFORMATION CONTAINED HEREIN  
 IS THE SOLE PROPERTY OF COFAN USA INC. THE DISCLOSURE  
 OF THIS INFORMATION DOES NOT CONSTITUTE THE RELEASE OF  
 ANY PROPRIETARY RIGHTS THEREIN. PERMISSION TO REPRODUCE  
 THIS INFORMATION OR THE PRODUCTS DISCLOSED HEREIN  
 MUST BE OBTAINED IN WRITING FROM COFAN USA INC.

POSITION 1 : POS +12V (RED)  
 POSITION 2 : TACH OUTPUT (YELLOW)  
 POSITION 3 : NEG GRD (BLACK)

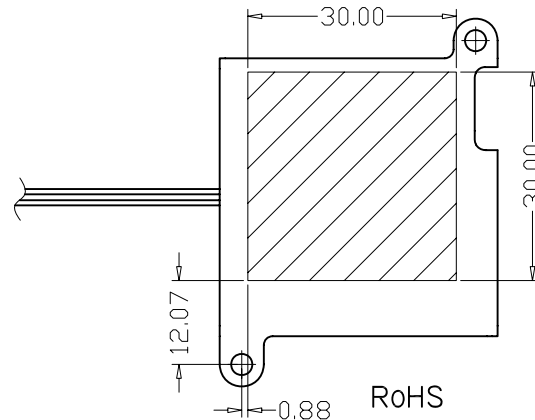
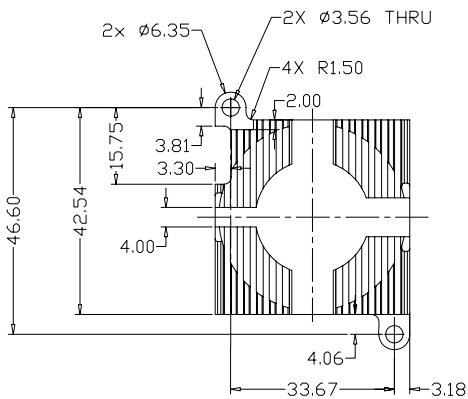
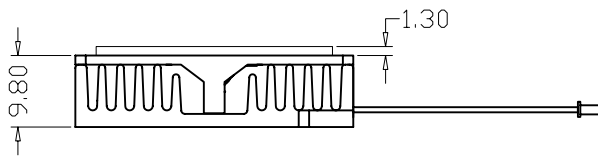


Molex Housing : 87439-0300 or equiv.  
 Molex Terminal : 87421 or equiv.

REVISION HISTORY					
REV	DESCRIPTION	DRWN	CHK'D	APP'VD	DATE
-	-	-	-	-	-



COFAN TO REMOVE PULL TAB  
 BEFORE SHIPPING TO CUSOTMER



COFAN TO REMOVE PULL TAB  
 BEFORE SHIPPING TO CUSOTMER

⑤	60-1060 Rev 01	SCREW, M2x5	3
④	F-4008H12B Rev 01	12VDC FAN, 40mm, 2 Ball Bearing	1
③	30-1737 Rev 01	FASTEX, 83FT02-37-9909	2
②	THERMAL MATERIAL	HONEYWELL PCM45F, 30X30MM DR LAIRD T-PCMB85, 30X30MM DR CHOMERICS T-725, 30X30MM	1
①	20-3066 Rev 01	HEATSINK, AL6063-T5, BLACK ANODIZED	1
	Part Number	Part Description	Qty

BOM SHEET

MODEL NO	RATED VOLTAGE V	OPERATING VOLTAGE V	RATED CURRENT A	ACTUAL CURRENT A	RATED POWER W	RATED SPEED RPM	MAX AIR FLOW @ 9000 RPM		MAX PRESSURE @ 9000 RPM		NDISE LEVEL dBA
							CMM	CFM	mmH <sub>2</sub> O	InH <sub>2</sub> O	
F-4008H12B	12	9-13.8	0.18	0.18	2.88	9000	0.252	8.91	4.64	0.183	35.5

ROHS  
 COMPLIANT  
 2002/95/EC

DO NOT SCALE DRAWING

UNLESS OTHERWISE SPECIFIED  
 DIMENSIONS ARE IN MILLIMETRE  
 TOLERANCES ARE:

1 PLACE .X	± 0.25
2 PLACE .XX	± 0.13
3 PLACE .XXX	± 0.08
ANGLES EXCEPT 90°	± 0.5°
MAXIMUM SURFACE ROUGHNESS	6.4

NAME:	DATE:	CUSTOMER DRAWING NUMBER:	COFAN USA 46177 WARM SPRINGS BLVD FREMONT CA 94539		
DRAWN BY: Jun	10/12/07	[-----]	NAME: FAN HEAT SINK ASSEMBLY		
CHECKED BY:		CUSTOMER PART NUMBER: [-----]	SCALE: NONE	CUS REV: 01	COFAN REV: 01
CHECKED BY:		COFAN DRAWING NUMBER: 30-1746	COFAN PART NUMBER: 30-1746	SHEET: 1 OF 1	DATE DRAWN: Oct-25-2007
APPR BY:					