



Approval Specification for Cofan Part # 30-1828 Rev 01

Heatsink – Fan Combination

RoHS Compliant

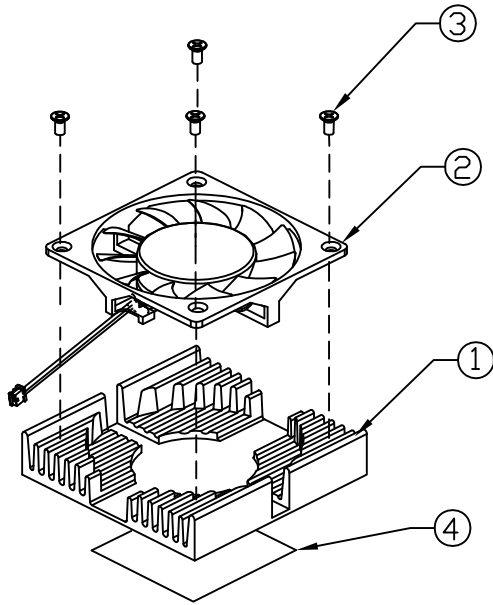
Revision Date: Mar 18, 2008

Cofan USA, 46177 Warm Springs Blvd, Fremont, CA 94539 www.cofan-usa.com (800) 766-6097

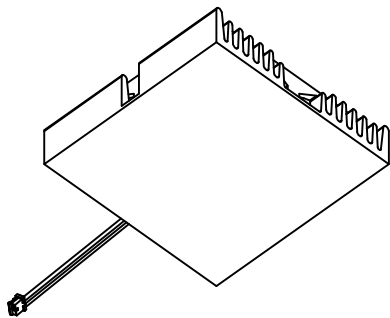
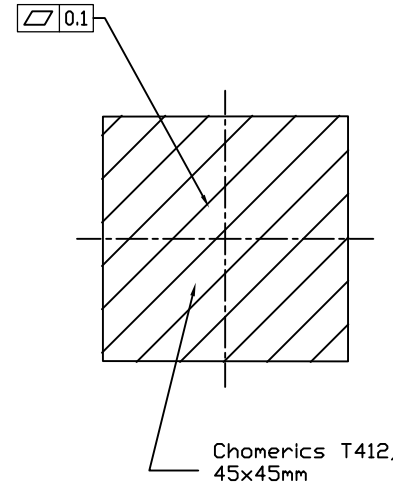
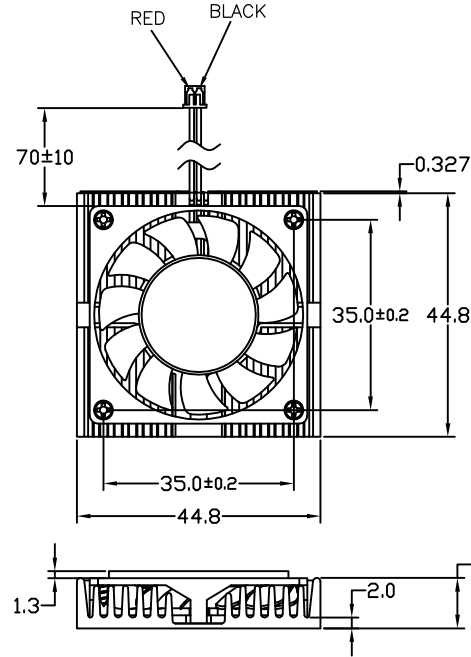
NOTICE - PROPRIETARY INFORMATION
 THE DESIGN AND RELATED INFORMATION CONTAINED HEREIN IS THE SOLE PROPERTY OF COFAN INC. THE DISCLOSURE OF THIS INFORMATION DOES NOT CONSTITUTE THE RELEASE OF ANY PROPRIETARY RIGHTS THEREIN. PERMISSION TO REPRODUCE THIS INFORMATION OR THE PRODUCTS DISCLOSED HEREIN MUST BE OBTAINED IN WRITING FROM COFAN INC.

REVISION HISTORY					
REV	DESCRIPTION	DRWN	CHK'D	APP'VD	DATE
-	-	-	-	-	-

- NOTES:
- 1 MATERIAL: ----
 - 2 FINISH: ----
 3. DEBURR AND BREAK ALL SHARP EDGES..
 4. \triangle IS CRITICAL INSPECTION POINT. NUMBERING IN TRIANGLE IS TO BE USED FOR CROSS REFERENCE OF INSPECTION REPORT TO DRAWING DIMENSION OR FEATURE.
 5. ALL DIMENSIONS TO INCLUDE APPLICABLE FINISH.
 6. PART GROSS WEIGHT: 25 g/Pcs.



1X MOLEX HOUSING 51021-0200 OR EQUIV.
 2X MOLEX TERMINAL 50058-xxxx OR EQUIV.



THERMAL
 RESISTANCE:
 APPROX 1.6°C/W
 IN FREE AIR AT
 25W OF POWER
 NOT INCLUDING
 TIM

④	Chomerics T412, 45x45mm	70-1031	A	2
③	SCREW, M2x5	60-1060	2	4
②	DC FAN, 40x40x8	F-400H12B-05	A	1
①	Heatsink, AL, Black Anodize	20-1130	A	1
Item	Part Description	Part Number	REV	QTY

BOM SHEET

DO NOT SCALE DRAWING		NAME:	DATE:	CUSTOMER DRAWING NUMBER:	 46177 WARM SPRING BLVD FREMONT CA 94539		
UNLESS OTHERWISE SPECIFIED DIMENSIONS ARE IN MILLIMETRE TOLERANCES ARE:		DRAWN BY:		[----]	NAME: FAN SINK, 12V		
1 PLACE .X	± 0.25	CHECKED BY:		CUSTOMER PART NUMBER:	[----]		
2 PLACE .XX	± 0.13	CHECKED BY:		COFAN DRAWING NUMBER:	SCALE:	CUS REV:	COF REV:
3 PLACE .XXX	± 0.08	APPR BY:		30-1828	NONE	-	01
ANGLES EXCEPT 90°				COFAN PART NUMBER:	SHEET:	DATE DRAWN:	
MAXIMUM SURFACE ROUGHNESS				30-1828	1 OF 1	3-18-2008	

RoHS
 COMPLIANT
 2002/95/EC



Approval Specification for Cofan Part # F-4008H12B-05 Rev A

40 x 40mm x 8.3mm, 12VDC Fan, 2 Wire, Connector, RoHS Compliant

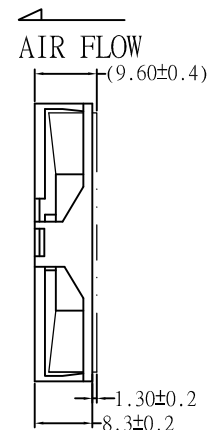
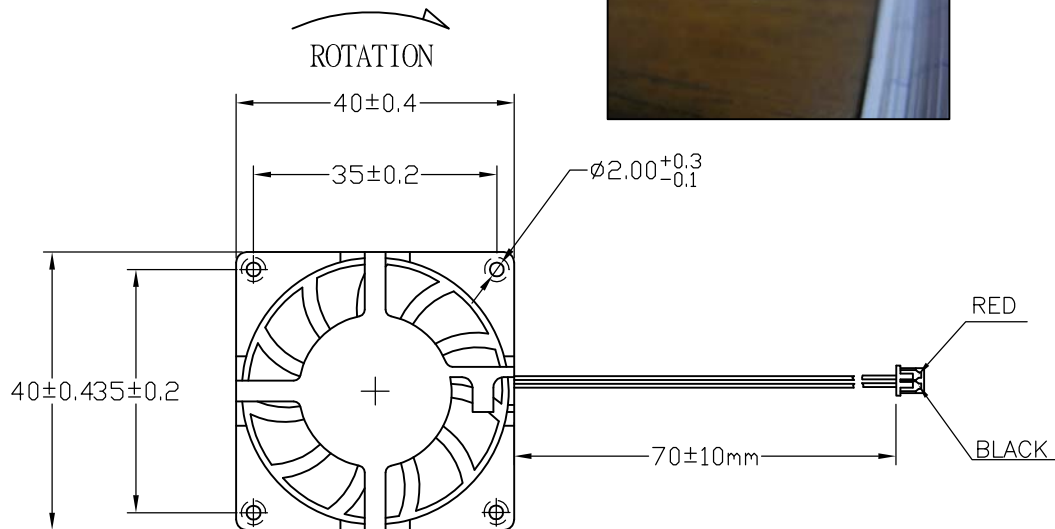
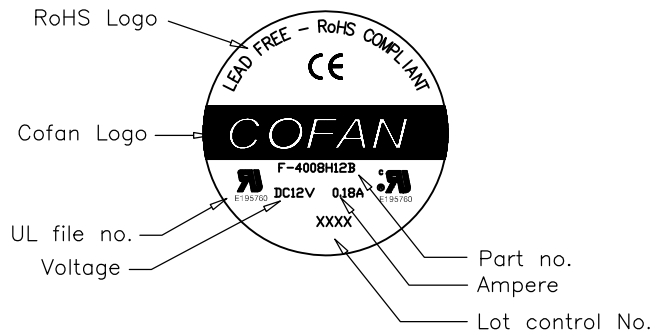
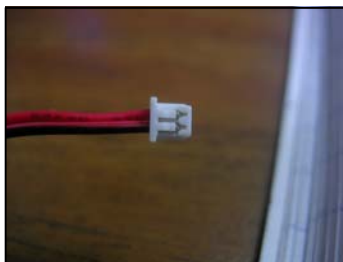
Revision Date: Mar-19-2008

Cofan USA, 46177 Warm Springs Blvd, Fremont, CA 94539 www.cofan-usa.com (800) 766-6097

NOTICE - PROPRIETARY INFORMATION
 THE DESIGN AND RELATED INFORMATION CONTAINED HEREIN IS THE SOLE PROPERTY OF COFAN USA INC. THE DISCLOSURE OF THIS INFORMATION DOES NOT CONSTITUTE THE RELEASE OF ANY PROPRIETARY RIGHTS THEREIN. PERMISSION TO REPRODUCE THIS INFORMATION OR THE PRODUCTS DISCLOSED HEREIN MUST BE OBTAINED IN WRITING FROM COFAN USA INC.

Note: This fan and all parts associated with this fan (including packaging, housings, and pins) either does not contain any hazardous substances such as lead, mercury, or PCB's, or is below acceptable levels, and is in compliance with 2002/95/EC of the European Parliament and of the Council of 27th January, 2003, on the restriction on the use of certain hazardous substances in electrical and electronic equipment.

DC BRUSHLESS FAN
 40 x 40 x 8.3 mm



UL/CUL# E195760
 TUV# B 04 03 52557 03
 CE# EN50081-1

RoHS
 COMPLIANT
 2002/95/EC

PARTS LIST	
①	1X MOLEX HOUSING 51021-0200 OR EQUIV. 2X MOLEX TERMINAL 5005B-XXXXX OR EQUIV.
②	1X FAN, COFAN MODEL F-4008H12B

COFAN ORDERING PART # F-4008H12B-05 Rev A (part # on label will be F-4008H12B)

Bearing Type: 2 Ball Bearing, MTBF: 125K Hours @ 25%/70K Hours @ 45%

Lead time - 2.5 to 3 weeks
 To place order, call Ben at (800) 766-6097 or email to ben@cofan-usa.com

MODEL NO	RATED VOLTAGE V	OPERATING VOLTAGE V	RATED CURRENT A	ACTUAL CURRENT A	RATED POWER W	RATED SPEED RPM	MAX AIR FLOW @ 9000 RPM		MAX PRESSURE @ 9000 RPM		NOISE LEVEL dBA
							CMM	CFM	mmHg□	InHg□	
F-4008H12B	12	9~13.8	0.18	0.18	2.88	9000	0.252	8.91	4.64	0.183	35.5

DO NOT SCALE DRAWING		NAME:	DATE:	CUSTOMER DRAWING NUMBER:	COFAN USA 46177 WARM SPRINGS BLVD FREMONT CA 94539		
1 PLACE .X	± 0.4	DRAWN BY:	Jun 10/25/07	[-----]	NAME: FAN, 40x8mm, 12V, 2 Ball, Connector, RoHS		
2 PLACE .XX	± 0.25	CHECKED BY:		[-----]	CUSTOMER PART NUMBER:	SCALE:	CUS REV:
3 PLACE .XXX	± 0.13	CHECKED BY:		F-4008H12B-05	F-4008H12B-05	NONE	A
ANGLES EXCEPT 90°	± 0.5°	APPR BY:		F-4008H12B-05	SHEET:	DATE DRAWN:	
MAXIMUM SURFACE ROUGHNESS	6.4√				1 OF 1	Mar-19-2008	

Cofan USA, Inc.
46177 Warm Springs Blvd
Fremont, CA 94539
USA

TEL: (800) 766-6097
FAX: (510) 490-7931
www.cofan-usa.com

SPECIFICATION FOR APPROVAL

Rev A

1. SCOPE:

This specification defines the electrical and mechanical characteristics of the following DC brushless axial flow fan:

Item		Description	
1-1	Part Number	F-4008H12B-05 (part # on label will be F-4008H12B)	
1-2	Outline Dimensions	40 x 9.6mm	
1-3	Bearing System	2 Ball Bearing	
1-4	Rated Voltage	12 VDC	
1-5	Operating Voltage	9 – 13.8 VDC	
1-6	Input Current	0.18 A	
1-7	Input Power	2.88W	
1-8	Speed	9000 R.P.M.	a. 25°C, 65% RH, b. Free Air c. Rated Voltage
1-9	Max. Air Flow (At zero static pressure)	8.91 CFM 0.252 CMM	a. Rated Voltage b. AMCA Standard
1-10	Max. Air Pressure (At zero airflow)	0.183 in H ₂ O 4.64 mm H ₂ O	c. Rated Current
1-11	Acoustical Noise (Avg)	35.5 dBA	a. Rated Voltage b. Measured in a Non-Echo Chamber c. CNS 8753 Standard d. ISO 3744 Test Condition
1-12	Life Expectance	257,391 L10 Hours 91,002 L10 Hours	a. 25°C (MTBF of 1,801,739 Hours) b. 40°C (MTBF of 637,011 Hours)
1-13	Insulation Type	UL: Class A	
1-14	Weight	9 Grams	
1-15	Rotation	Clockwise from label side	