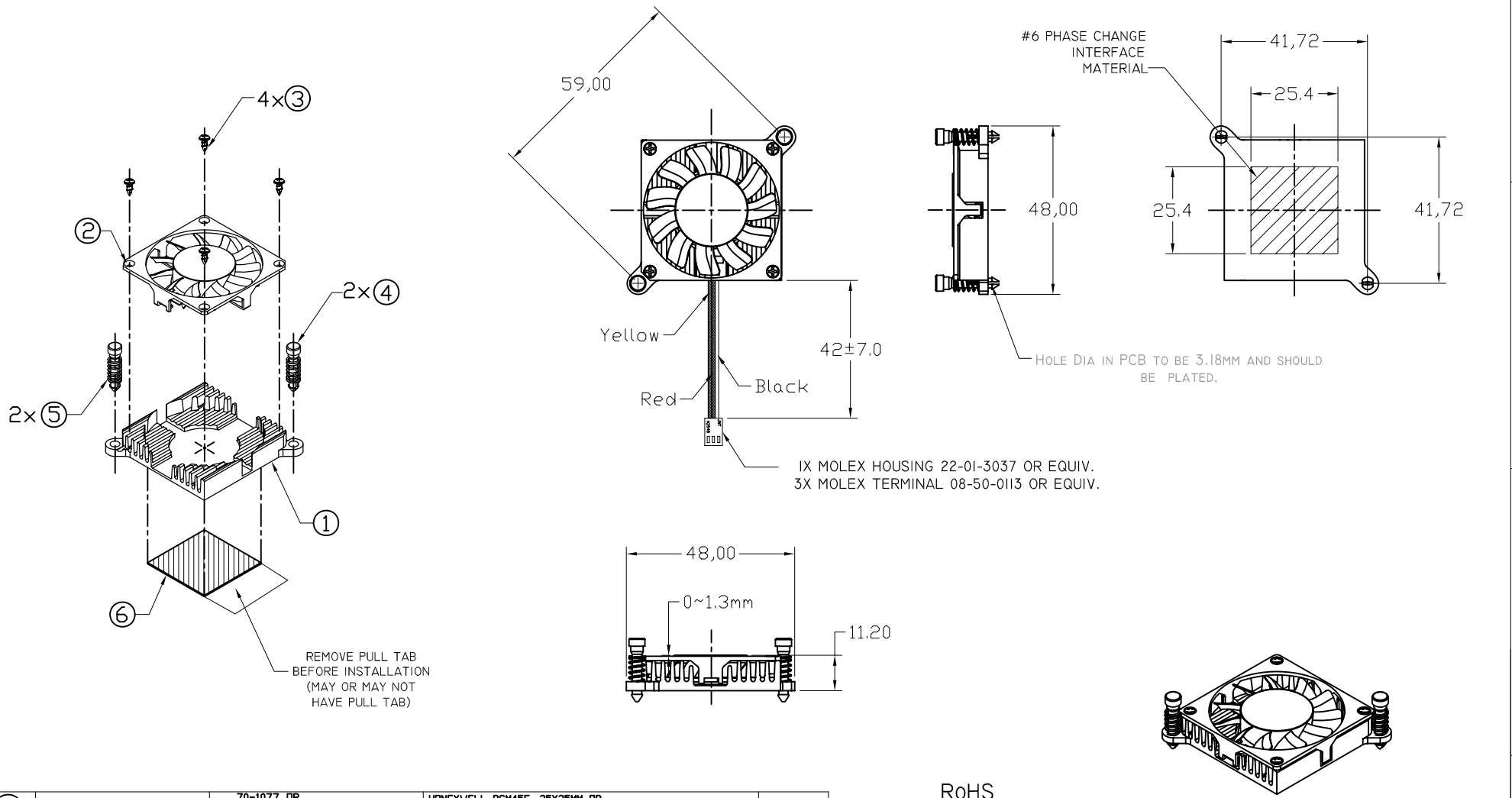


NOTICE - PROPRIETARY INFORMATION
 THE DESIGN AND RELATED INFORMATION CONTAINED HEREIN IS THE SOLE PROPERTY OF COFAN INC. THE DISCLOSURE OF THIS INFORMATION DOES NOT CONSTITUTE THE RELEASE OF ANY PROPRIETARY RIGHTS THEREIN. PERMISSION TO REPRODUCE THIS INFORMATION OR THE PRODUCTS DISCLOSED HEREIN MUST BE OBTAINED IN WRITING FROM COFAN INC.

REVISION HISTORY					
REV	DESCRIPTION	DRWN	CHK'D	APPVD	DATE
01	INITIAL RELEASE	LONG	IYC		



RoHS
 COMPLIANT
 2002/95/EC

⑥	THERMAL TAPE	70-1077 OR 70-1078 OR 70-1008	HONEYWELL PCM45F, 25X25MM OR LAIRD T-PCMS85, 25X25MM CHOMERICS T-725, 25X25MM	1
⑤	SPRING	50-1032	SPRING STEEL, / NICKEL PLATE	2
④	BRASS PIN	50-1016	BRASS / DEGREASE	2
③	SCREW	60-1030	SST / BLACK ZINC PLATE	4
②	DC FAN	F-4008H12BI F-4008H12BIII or	12V DC FAN: 40X40X9.6MM, 2 BALL 12VDC FAN: 40X40X8.3MM, 2 BALL	1
①	HEAT SINK	20-2066	AL 6061-T5, / BLACK ANODIZE	1
NO.	DESCRIPTION	PART NUMBER	MATERIAL & FINISH	QTY

DO NOT SCALE DRAWING UNLESS OTHERWISE SPECIFIED DIMENSIONS ARE IN MILLIMETRE TOLERANCES ARE: 1 PLACE .X ± 0.3 2 PLACE .XX ± 0.2 3 PLACE .XXX ± 0.13 ANGLES EXCEPT 90° ± 0.5° MAXIMUM SURFACE ROUGHNESS 3.2√	MATERIAL: SEE BOM	CUSTOMER DRAWING NUMBER: -----	 46177 WARM SPRINGS BLVD. FREMONT CA 94539		
	FINISH: SEE BOM	CUSTOMER PART NUMBER: -----	NAME: FAN HEATSINK, 5V		
	DRAWN BY: LONG	COFAN DRAWING NUMBER: 30-1832	SCALE: 1:1	CUS REV: A	COF REV: 01
	CHECKED BY: IYC	COFAN PART NUMBER: 30-1832	SHEET: 1 OF 1	DATE DRAWN: MAR-20-2008	