

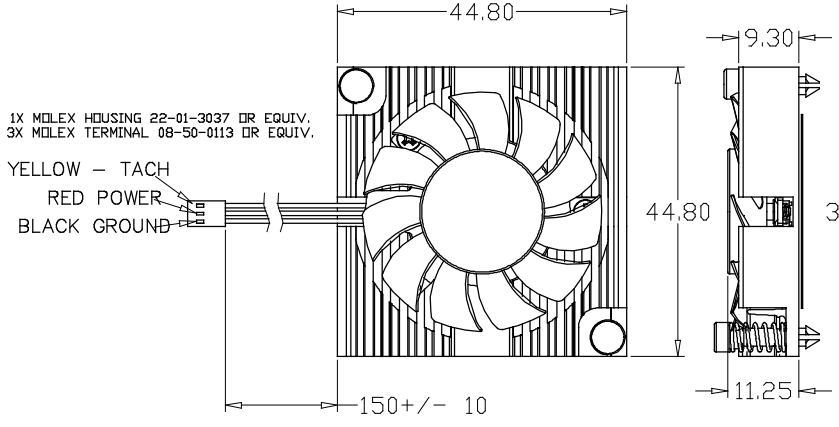
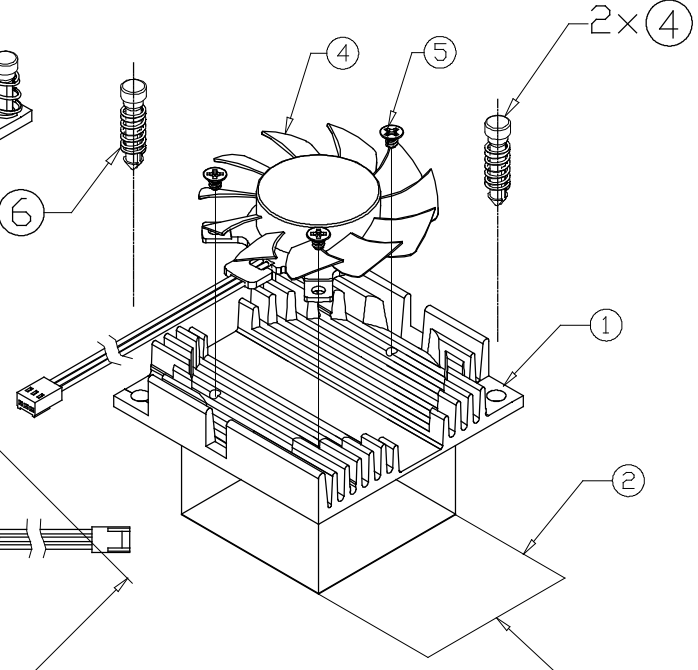
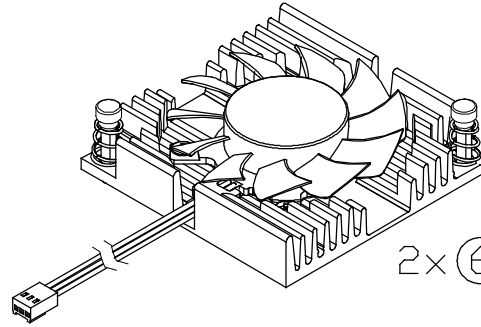
NOTICE - PROPRIETARY INFORMATION
 THE DESIGN AND RELATED INFORMATION CONTAINED HEREIN IS THE SOLE PROPERTY OF COFAN USA INC. THE DISCLOSURE OF THIS INFORMATION DOES NOT CONSTITUTE THE RELEASE OF ANY PROPRIETARY RIGHTS THEREIN. PERMISSION TO REPRODUCE THIS INFORMATION OR THE PRODUCTS DISCLOSED HEREIN MUST BE OBTAINED IN WRITING FROM COFAN USA INC.



THERMAL RESISTANCE: APPROX
 1.99°C/W

REVISION HISTORY					
REV	DESCRIPTION	DRWN	CHK'D	APPVD	DATE
-	-	-	-	-	-

PCB Assy Example:
 PCB Thickness: 1.63mm
 Component Height: 2.97mm
 Heatsink Thickness: 2.00mm
 Spring Free Length: 8.89mm
 Pin Working Length: 11.43mm
 Compressed Spring: 4.83mm
 Spring Solid Height: 3.33mm
 Spring Compressed by: 4.06mm
 Spring Rate: 9.32lbs/in
 $9.32 \times 2 \times .160" = 2.97 \text{ lbs}$



Hole Dia in PCB to be 3.1mm

Notes:
 1. Fan must be 2 ball bearing.

UL# E195760
 CUL# E195760
 TUV# B 04 03 52557 002
 CE# EN5008-1

RoHS
 Compliant
 2002/95/EC

⑥	50-1008 REV 01	SPRING	2
⑤	60-1253 REV 01	SCREW, M2x2.5	3
④	F-4008H12BIV-05 REV 01	12VDC FAN, 40MM, 2 BALL BEARING	1
③	50-1510 REV 01	BRASS PIN	2
②	70-1038 REV 01	CHOMERICS T-725, 35X35MM	1
①	20-4068 REV 01	HEATSINK, AL6063-T5, BLACK ANODIZED 55MM HOLE TO HOLE	1
	PART NUMBER	PART DESCRIPTION	Qty

Value	Temp	25	30	40	50	60	70
AF		45.25	32	16	8	4	2
ESTIMATED MTF		1801739	1274022	637011	318506	159253	79626
ESTIMATED L10		257391	182003	91002	45501	22750	11375

MODEL NO	RATED VOLTAGE V	OPERATING VOLTAGE V	RATED CURRENT A	ACTUAL CURRENT A	RATED POWER W	RATED SPEED RPM	MAX AIR FLOW		MAX STATIC AIR PRESSURE		NOISE LEVEL dBA
							CMM	CFM	mmH ₂ O	InH ₂ O	
F-4008H12BIV	12	9.0~13.8	0.18	0.08	2.16	6000	0.168	5.92	2.26	0.089	26.6

DO NOT SCALE DRAWING
 UNLESS OTHERWISE SPECIFIED DIMENSIONS ARE IN MILLIMETRE TOLERANCES ARE:

1 PLACE .X	± 0.25
2 PLACE .XX	± 0.13
3 PLACE .XXX	± 0.08
ANGLES EXCEPT 90°	± 0.5°
MAXIMUM SURFACE ROUGHNESS	6.4√

NAME	DATE	CUSTOMER DRAWING NUMBER	COFAN USA
DRAWN BY: JUN	10/12/07	[----]	46177 WARM SPRINGS BLVD FREMONT CA 94539
CHECKED BY:		CUSTOMER PART NUMBER: [----]	NAME: FAN HEAT SINK ASSEMBLY
CHECKED BY: IVANC	2/21/13	COFAN DRAWING NUMBER: 30-1944-01	SCALE: NONE
APPR BY:		COFAN PART NUMBER: 30-1944-01	CUS REV: 01
			DATE DRAWN: 01-25-2007

BOM SHEET