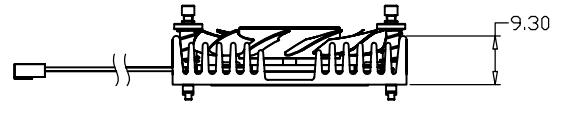
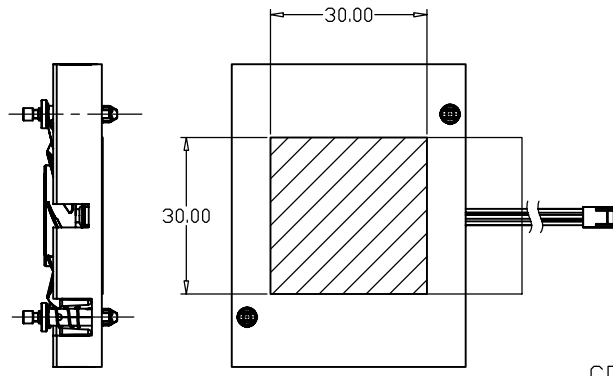
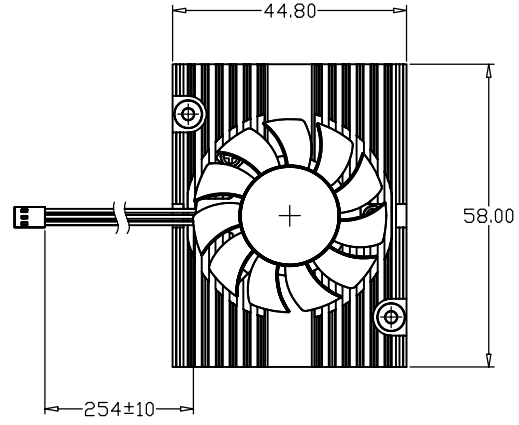
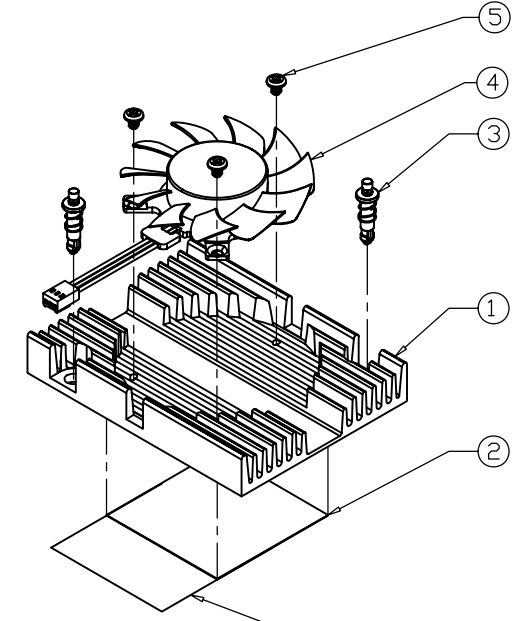
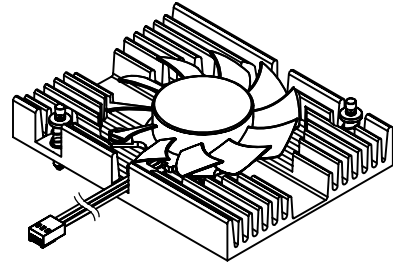


NOTICE - PROPRIETARY INFORMATION
 THE DESIGN AND RELATED INFORMATION CONTAINED HEREIN
 IS THE SOLE PROPERTY OF COFAN USA INC. THE DISCLOSURE
 OF THIS INFORMATION DOES NOT CONSTITUTE THE RELEASE OF
 ANY PROPRIETARY RIGHTS THEREIN. PERMISSION TO REPRODUCE
 THIS INFORMATION OR THE PRODUCTS DISCLOSED HEREIN
 MUST BE OBTAINED IN WRITING FROM COFAN USA INC.

REVISION HISTORY					
REV	DESCRIPTION	DRWN	CHK'D	APPVD	DATE
-	-	-	-	-	-



COFAN TO REMOVE PULL TAB
 BEFORE SHIPPING TO CUSTOMER

⑤	60-1263 Rev 01	SCREW, M2x2.5	3
④	F-4008H12BIII-05 REV 01	12VDC FAN, 40MM, 2 BALL BEARING	1
③	30-1737	PUSH PIN TO FASTEX, 83FT02-37-9909,	2
②	70-1001	HONEYWELL PCM45F, 30X30MM OR LAIRD T-PCM585, 30X30MM OR CHOMERICS T-725, 30X30MM	1
①	20-4078 Rev 01	HEATSINK, AL6063-T5, BLACK ANODIZED 55MM HOLE TO HOLE	1
		PART NUMBER	DESCRIPTION
			QTY

BOM SHEET

DO NOT SCALE DRAWING UNLESS OTHERWISE SPECIFIED DIMENSIONS ARE IN MILLIMETRE TOLERANCES ARE: 1 PLACE .X ± 0.25 2 PLACE .XX ± 0.13 3 PLACE .XXX ± 0.08 ANGLES EXCEPT 90° ± 0.5° MAXIMUM SURFACE ROUGHNESS 6.4	NAME:	DATE:	CUSTOMER DRAWING NUMBER:	 46177 WARM SPRINGS BLVD FREMONT CA 94539			
	DRAWN BY:	JUN	10/12/07				[-----]
	CHECKED BY:	IYC	7/2/08	[-----]	NAME:	FAN HEAT SINK ASSEMBLY	
	CHECKED BY:				CUSTOMER PART NUMBER:	SCALE:	CUS REV:
				COFAN DRAWING NUMBER:	NONE	COFAN REV:	
				30-1962		01	
				COFAN PART NUMBER:	SHEET:	DATE DRAWN:	
				30-1962	1 OF 1	OCT-25-2007	

RoHS
 COMPLIANT
 2002/95/EC