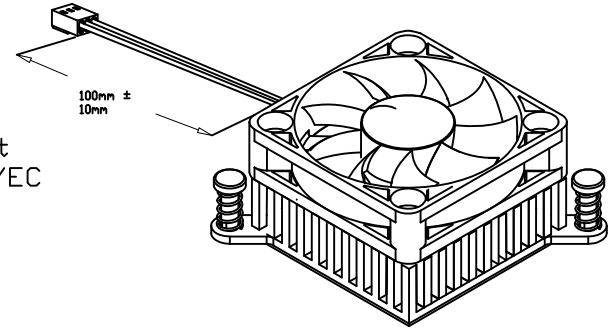
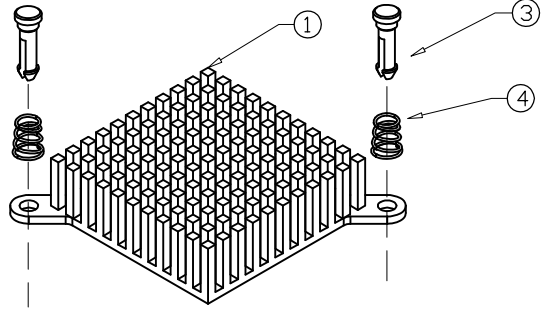
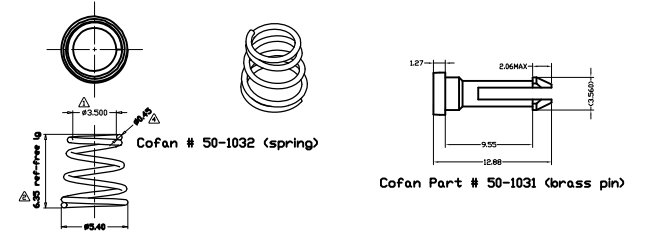
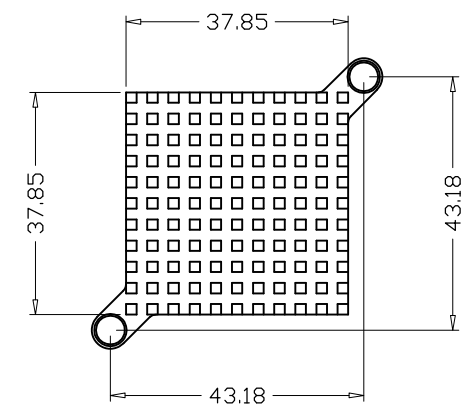
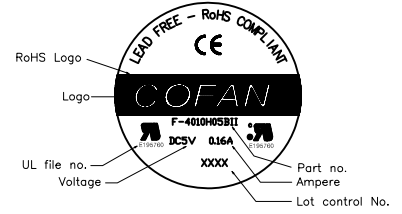
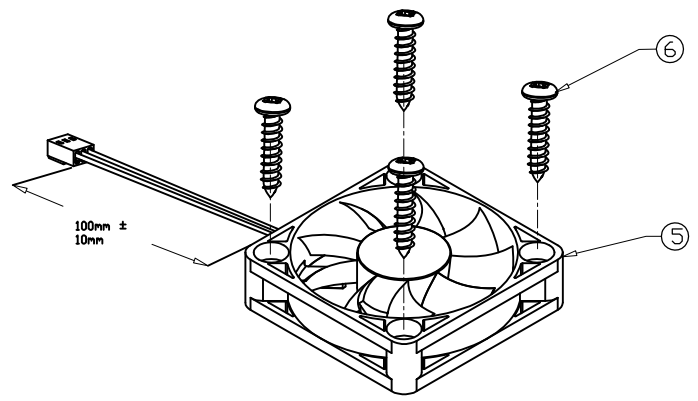
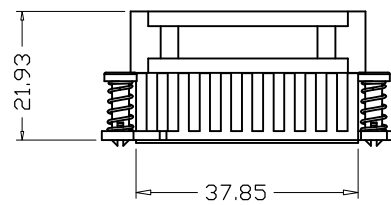
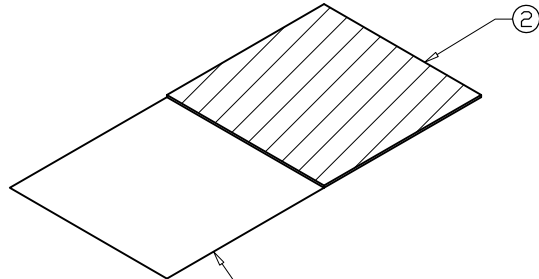


NOTICE - PROPRIETARY INFORMATION
 THE DESIGN AND RELATED INFORMATION CONTAINED HEREIN IS THE SOLE PROPERTY OF COFAN INC. THE DISCLOSURE OF THIS INFORMATION DOES NOT CONSTITUTE THE RELEASE OF ANY PROPRIETARY RIGHTS THEREIN. PERMISSION TO REPRODUCE THIS INFORMATION OR THE PRODUCTS DISCLOSED HEREIN MUST BE OBTAINED IN WRITING FROM COFAN INC.

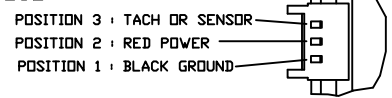
REVISION HISTORY					
REV	DESCRIPTION	DRWN	CHK'D	APPVD	DATE



RoHS
 Complaint
 2002/95/EC



NOTE: BEFORE ASSEMBLING
 REMOVE THIS TAB TO EXPOSE
 THERMAL INTERFACE



1X MOLEX HOUSING 22-01-3037 OR EQUIV.
 3X MOLEX TERMINAL 08-50-0113 OR EQUIV.

THERMAL RESISTANCE: APPROX 2 DEGREES C/W

ITEM	DESCRIPTION	COFAN P/N & Rev	Material/RoHS/Rev	QTY
⑥	SCREW	60-1018	SCREW, M3 X 12, STEEL, BLACK ZINC	4
⑤	FAN, 5VDC, TACH	F-4010L05BII-04	DC BRUSHLESS FAN	1
④	SPRING	50-1032	PIAND WIRE / NICKEL PLATED / YES	2
③	BRASS PIN	50-1031	BRASS / DEGREASE / YES	2
②	THERMAL TAPE	T-7253838	CHDMERICS T725 PAD 37.85X37.85mm / NDNE / YES	1
①	HEAT SINK	20-2089	AL 6063-T5 / BLACK ANODIZE/YES	1

DO NOT SCALE DRAWING		MATERIAL:	CUSTOMER DRAWING NUMBER:	 1400 FULLTON PL. UNIT A FRENCHT CA 94539	
UNLESS OTHERWISE SPECIFIED DIMENSIONS ARE IN MILLIMETRE TOLERANCES ARE:		FINISH:	CUSTOMER PART NUMBER:	NAME: HEAT SINK ASSY	
1 PLACE .X	± 0.4	DRAWN BY: Ajje		SCALE: 1:1	CUS REV: 01
2 PLACE .XX	± 0.25	COFAN DRAWING NUMBER:		DATE DRAWN:	01
3 PLACE .XXX	± 0.13	COFAN PART NUMBER:		SHEET: 1 OF 1	
ANGLES EXCEPT 90°	± 0.5°	COFAN PART NUMBER: 30-2007		DATE DRAWN: Mar-08-2007	
MAXIMUM SURFACE ROUGHNESS	3.2√				

MODEL NO	RATED VOLTAGE V	OPERATING VOLTAGE V	RATED CURRENT A	ACTUAL CURRENT A	RATED POWER W	RATED SPEED RPM	MAX AIR FLOW @ 3000 RPM		MAX PRESSURE @ 3000 RPM		NOISE LEVEL dBA
							CMM	CFM	mmH ₂ O	InH ₂ O	
F-4010L05BII	5	4.5~6.0	0.16	0.06	0.80	3000	4.06	0.79	0.031	14.8	