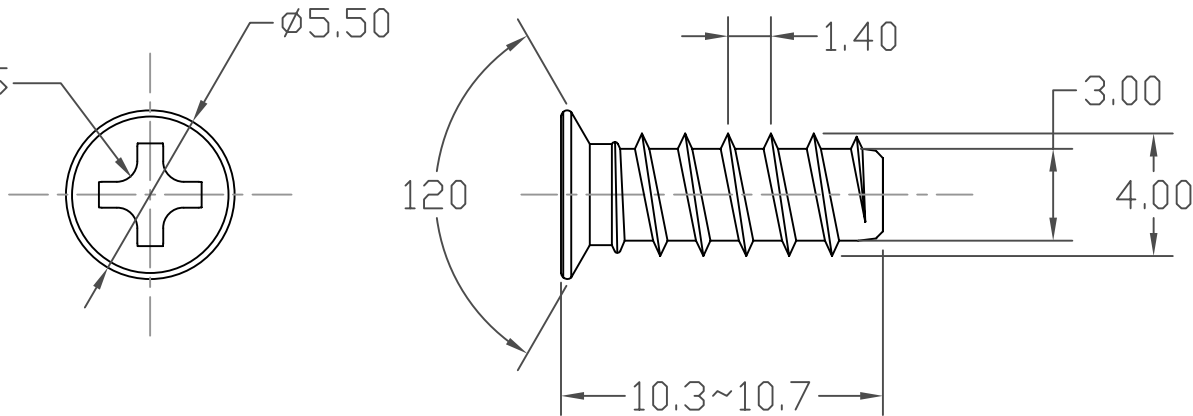


NOTICE - PROPRIETARY INFORMATION
 THE DESIGN AND RELATED INFORMATION CONTAINED HEREIN
 IS THE SOLE PROPERTY OF COFAN INC. THE DISCLOSURE
 OF THIS INFORMATION DOES NOT CONSTITUTE THE RELEASE OF
 ANY PROPRIETARY RIGHTS THEREIN. PERMISSION TO REPRODUCE
 THIS INFORMATION OR THE PRODUCTS DISCLOSED HEREIN
 MUST BE OBTAINED IN WRITING FROM COFAN INC.

NOTES

1. MATERIAL: STEEL
2. FINISH: BRIGHT NICKEL
3. REMOVE ALL BURRS AND SHARP EDGES.
4. EVERY BATCH PART MUST BE CONFORMABLE(COLOR AND PROFILE).

#2
Phillips



RoHS
Compliant
2002/95/EC

DO NOT SCALE DRAWING UNLESS OTHERWISE SPECIFIED DIMENSIONS ARE IN MILLIMETRE TOLERANCES ARE: 1 PLACE .X ± 0.4 2 PLACE .XX ± 0.25 3 PLACE .XXX ± 0.13 ANGLES EXCEPT 90° $\pm 1^\circ$ MAXIMUM SURFACE ROUGHNESS 125 $\sqrt{\quad}$	MATERIAL: STEEL	CUSTOMER DRAWING NUMBER: -	46177 WARM SPRINGS BLVD FREMONT CA 94539		
	FINISH: BRIGHT NICKEL	CUSTOMER PART NUMBER: FS4012105	NAME: 4 x 10.5mm Screw		
	DRAWN BY: <i>Dan</i>	COFAN DRAWING NUMBER: 60-1251	SCALE: 2:1	CUS REV: 01	COF REV: 01
	APPR BY:	COFAN PART NUMBER: 60-1251	SHEET: 1 OF 1	DATE DRAWN: Apr-28-2004	