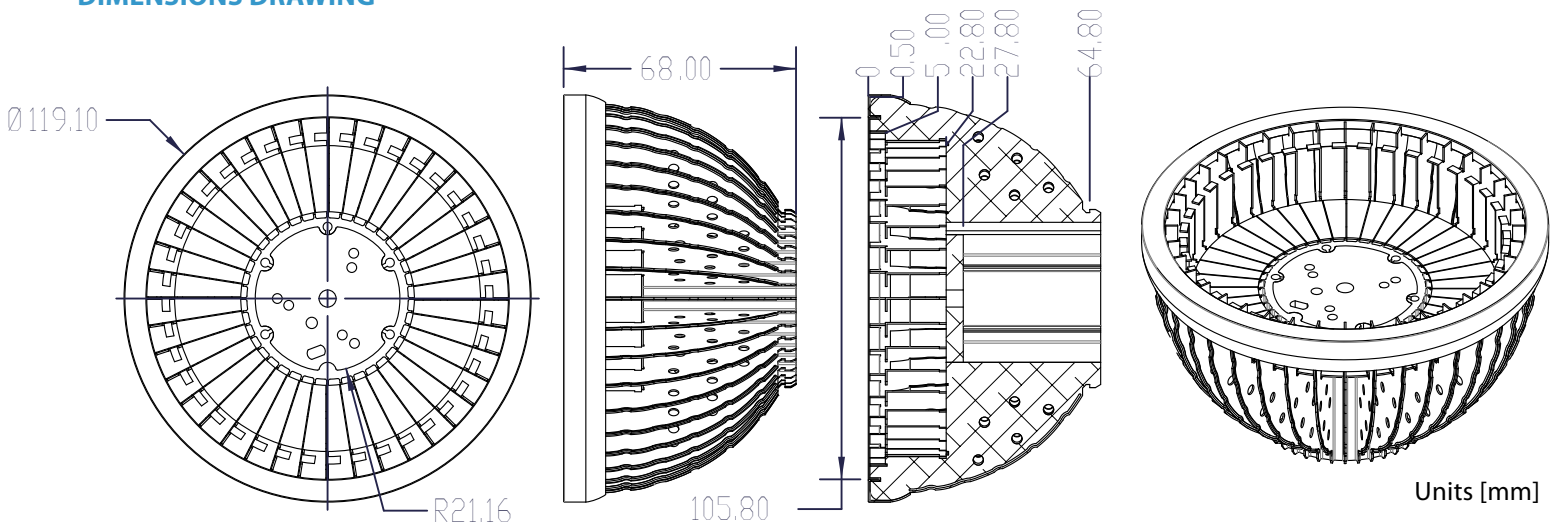


**LH-121P68C**

PAR38



**DIMENSIONS DRAWING**



Part Number	Dimensions		Material(s)	Surface Finish	Weight [Gram]	Maximum Power [Watt]	Bulb Shape	Manufacturing Processes
	Diameter [mm]	Height [mm]						
LH-121P68C	119.10	68.00	AL1050 AL6063	Clear Anodized	149.4	15	PAR38	Stamping Machining Press-fitting

\*\* Specifications are subject to change without notice.