

LED HEAT SINK

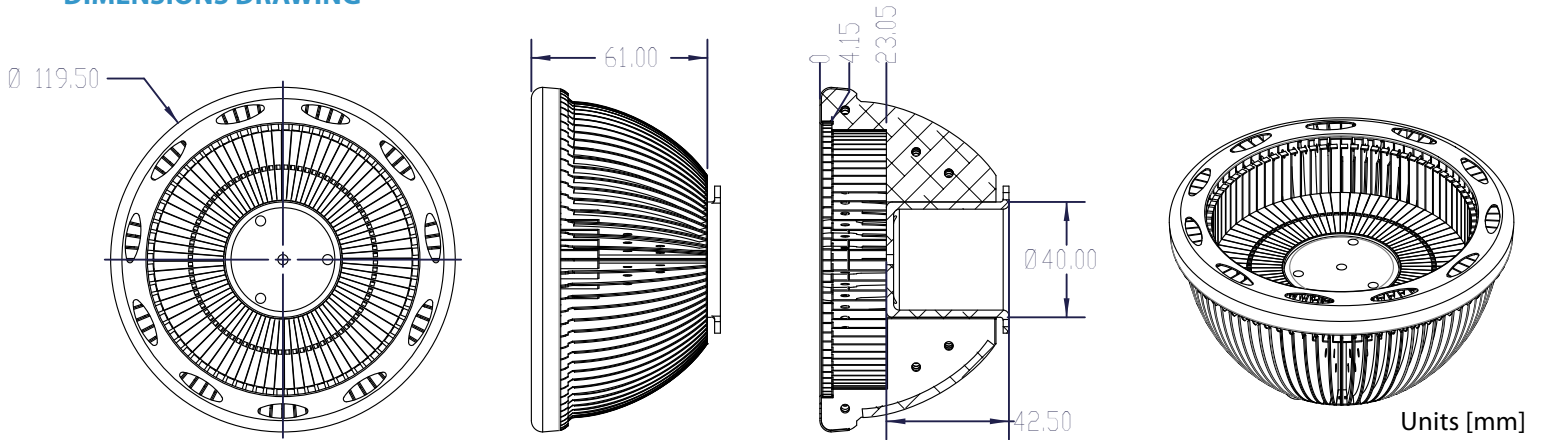
**RoHS**  
compliant  
2002/95/EC

**LH-121S61N**

PAR38



**DIMENSIONS DRAWING**



Part Number	Dimensions		Material(s)	Surface Finish	Weight [Gram]	Maximum Power [Watt]	Bulb Shape	Manufacturing Processes
	Diameter [mm]	Height [mm]						
LH-121S61N	119.50	61.00	AL1050 AL6063	Nickle Plated	165.8	15	PAR38	Stamping Machining Soldering

\*\* Specifications are subject to change without notice.