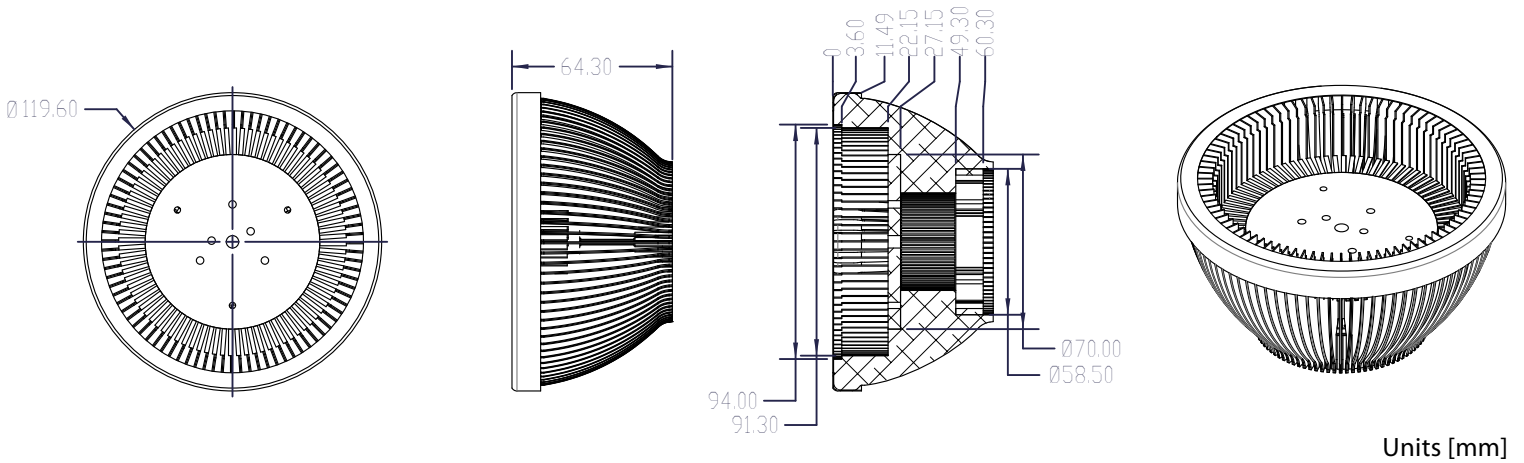


LH-121S64N

PAR38



DIMENSIONS DRAWING



Units [mm]

Part Number	Dimensions		Material(s)	Surface Finish	Weight [Gram]	Maximum Power [Watt]	Bulb Shape	Manufacturing Processes
	Diameter [mm]	Height [mm]						
LH-121S64N	119.60	64.30	AL1050 AL6063	Nickle Plated	195.8	15	PAR38	Stamping Machining Soldering

** Specifications are subject to change without notice.