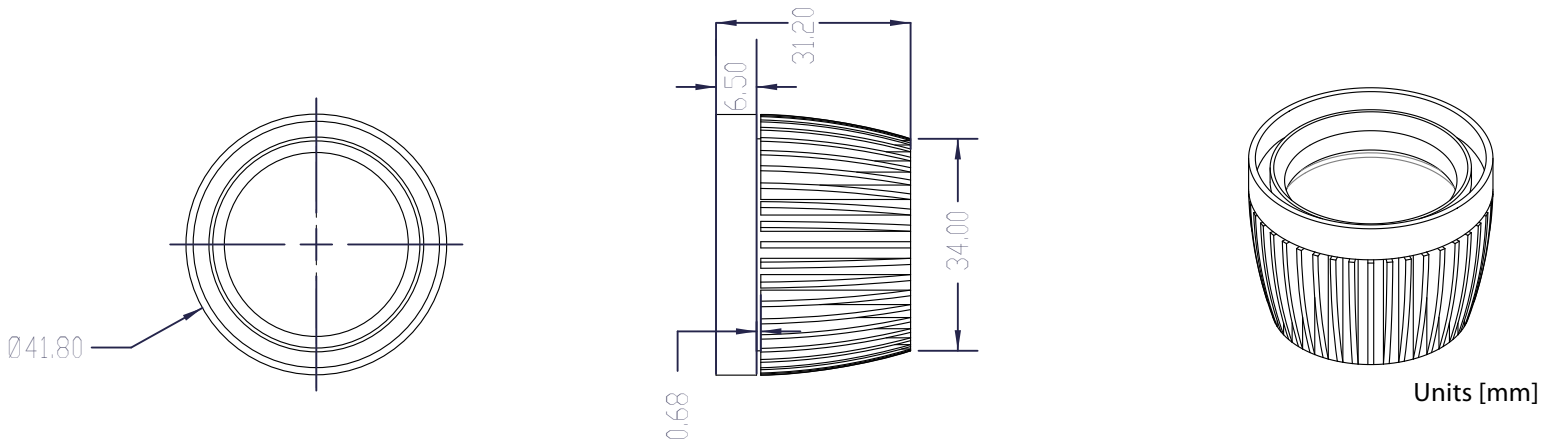


LH-42E31C

MR13



DIMENSIONS DRAWING



Part Number	Dimensions		Material(s)	Surface Finish	Weight [Gram]	Maximum Power [Watt]	Bulb Shape	Manufacturing Processes
	Diameter [mm]	Height [mm]						
LH-42E31C	41.80	31.20	AL6063-T5	Clear Anodized	25.7	3	MR13	Extrusion Machining

** Specifications are subject to change without notice.