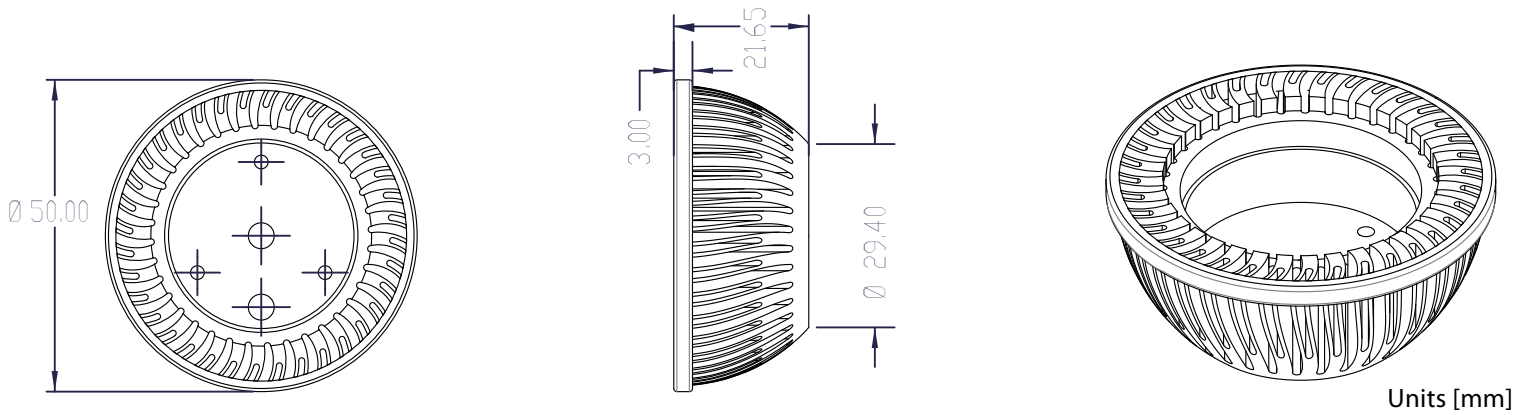


LH-51E21C-02

MR16



DIMENSIONS DRAWING



Part Number	Dimensions		Material(s)	Surface Finish	Weight [Gram]	Maximum Power [Watt]	Bulb Shape	Manufacturing Processes
	Diameter [mm]	Height [mm]						
LH-51E21C-02	50.00	21.65	AL6063-T5	Clear Anodized	34.3	3	MR16	Extrusion Machining

** Specifications are subject to change without notice.