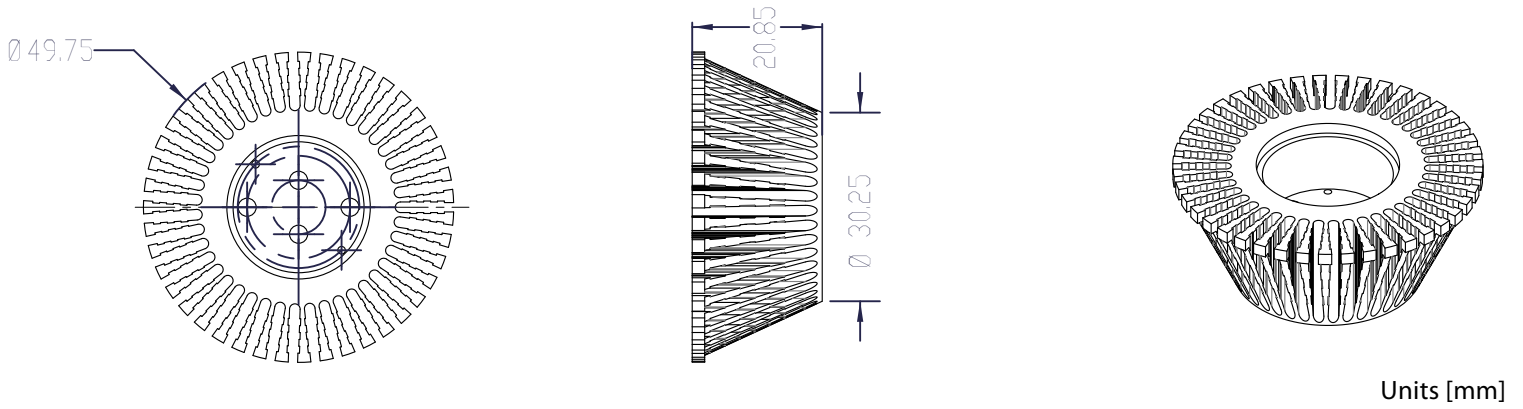


**LH-51E21C**

MR16



**DIMENSIONS DRAWING**



Part Number	Dimensions		Material(s)	Surface Finish	Weight [Gram]	Maximum Power [Watt]	Bulb Shape	Manufacturing Processes
	Diameter [mm]	Height [mm]						
LH-51E21C	49.75	20.85	AL6063-T5	Clear Anodized	32.7	3	MR16	Extrusion Machining

\*\* Specifications are subject to change without notice.