

LED HEAT SINK

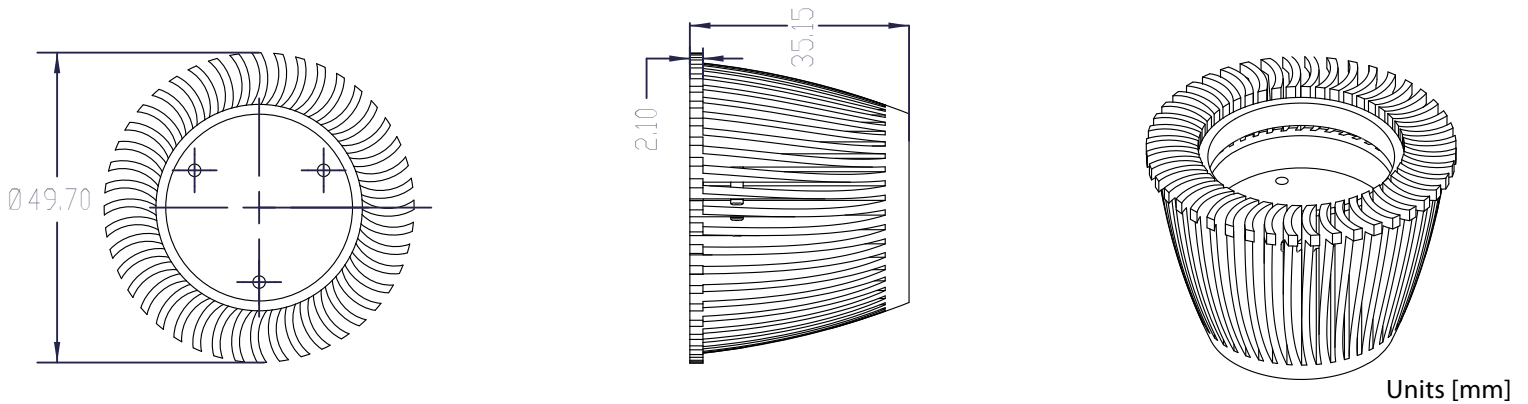
RoHS
compliant
2002/95/EC

LH-51E35C



PAR16

DIMENSIONS DRAWING



Part Number	Dimensions		Material(s)	Surface Finish	Weight [Gram]	Maximum Power [Watt]	Bulb Shape	Manufacturing Processes
	Diameter [mm]	Height [mm]						
LH-51E35C	49.70	35.15	AL6063-T5	Clear Anodized	39.9	3	PAR16	Extrusion Machining

** Specifications are subject to change without notice.