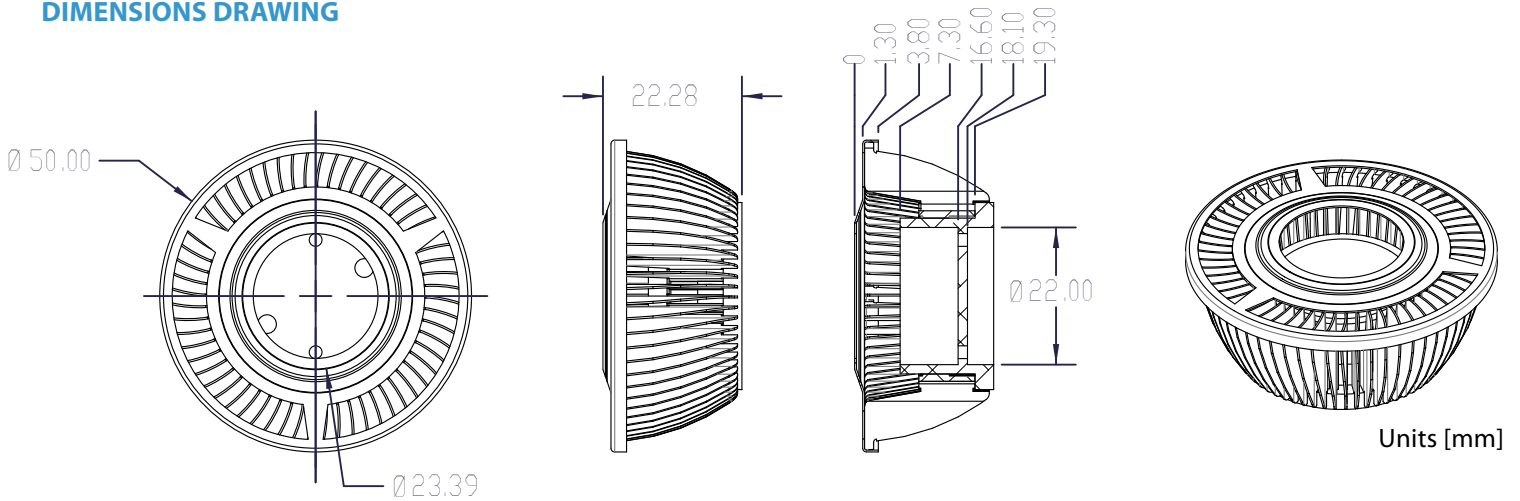


LH-51S22N

MR16



DIMENSIONS DRAWING



Part Number	Dimensions		Material(s)	Surface Finish	Weight [Gram]	Maximum Power [Watt]	Bulb Shape	Manufacturing Processes
	Diameter [mm]	Height [mm]						
LH-51S22N	50.00	22.28	AL1050 AL6063	Nickle Plated	19.3	3	MR16	Stamping Machining Soldering

** Specifications are subject to change without notice.