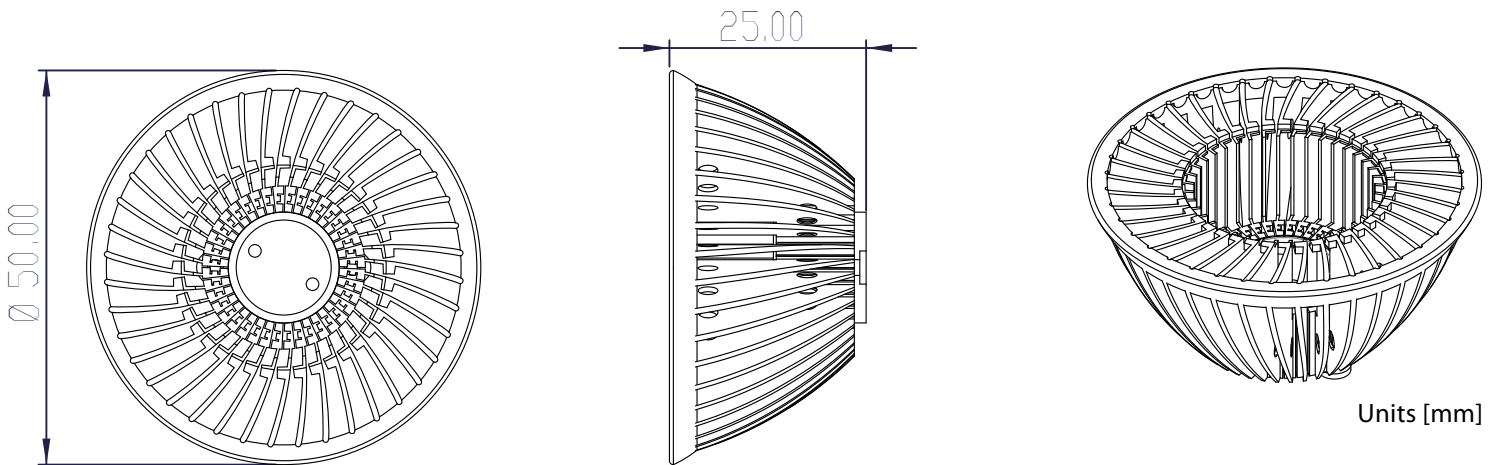


LH-51S25N

MR16



DIMENSIONS DRAWING



Part Number	Dimensions		Material(s)	Surface Finish	Weight [Gram]	Maximum Power [Watt]	Bulb Shape	Manufacturing Processes
	Diameter [mm]	Height [mm]						
LH-51S25N	50.00	25.00	AL1050 AL6063 CU1100	Nickle Plating Clear Anodized	15.6	5	MR16	Stamping Machining Soldering

** Specifications are subject to change without notice.