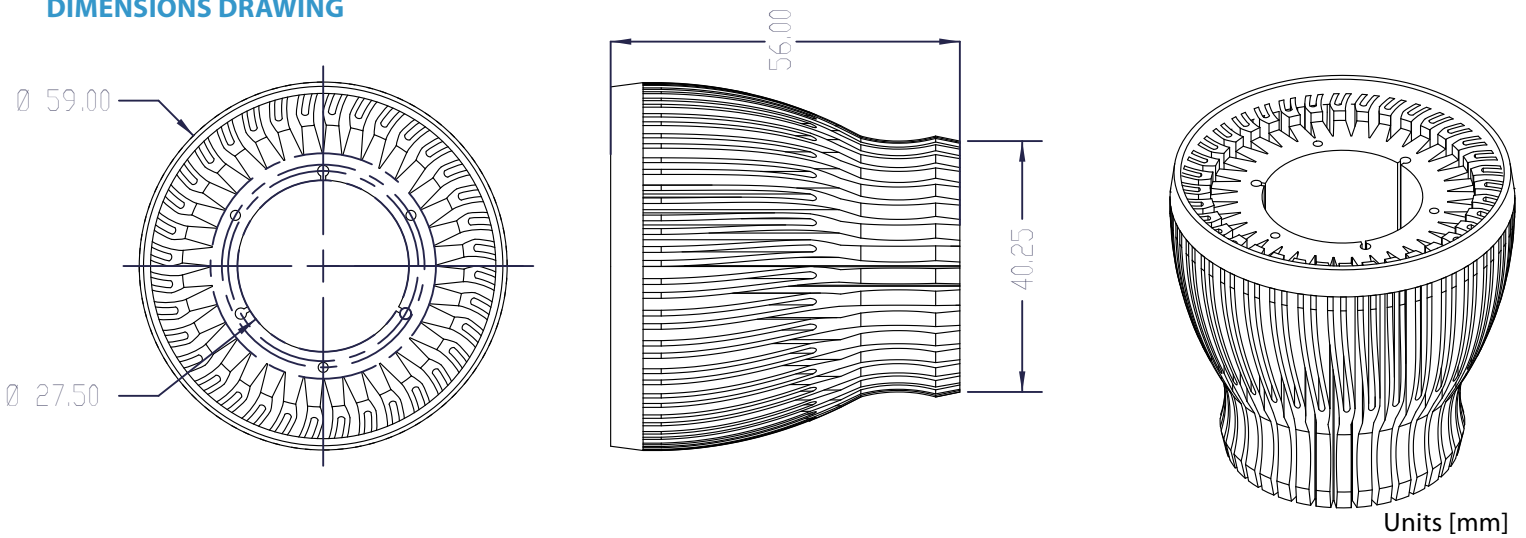


**LH-60E56C**

G60



**DIMENSIONS DRAWING**



Part Number	Dimensions		Material(s)	Surface Finish	Weight [Gram]	Maximum Power [Watt]	Bulb Shape	Manufacturing Processes
	Diameter [mm]	Height [mm]						
LH-60E56C	59.00	56.00	AL6063-T5	Clear Anodized	139.6	7	G60	Extrusion Machining

\*\* Specifications are subject to change without notice.