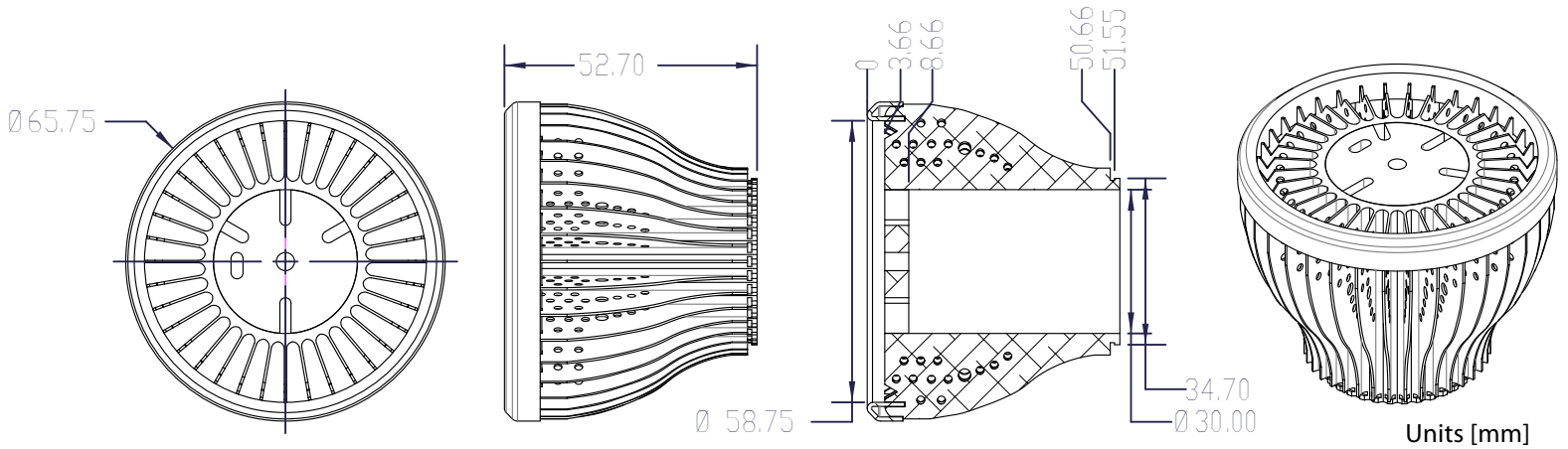


**LH-60P53C**

A19



**DIMENSIONS DRAWING**



Part Number	Dimensions		Material(s)	Surface Finish	Weight [Gram]	Maximum Power [Watt]	Bulb Shape	Manufacturing Processes
	Diameter [mm]	Height [mm]						
LH-60P53C	65.75	52.70	AL1050 AL6063	Clear Anodized	64.0	8	A19	Stamping Machining Press-fitting

\*\* Specifications are subject to change without notice.