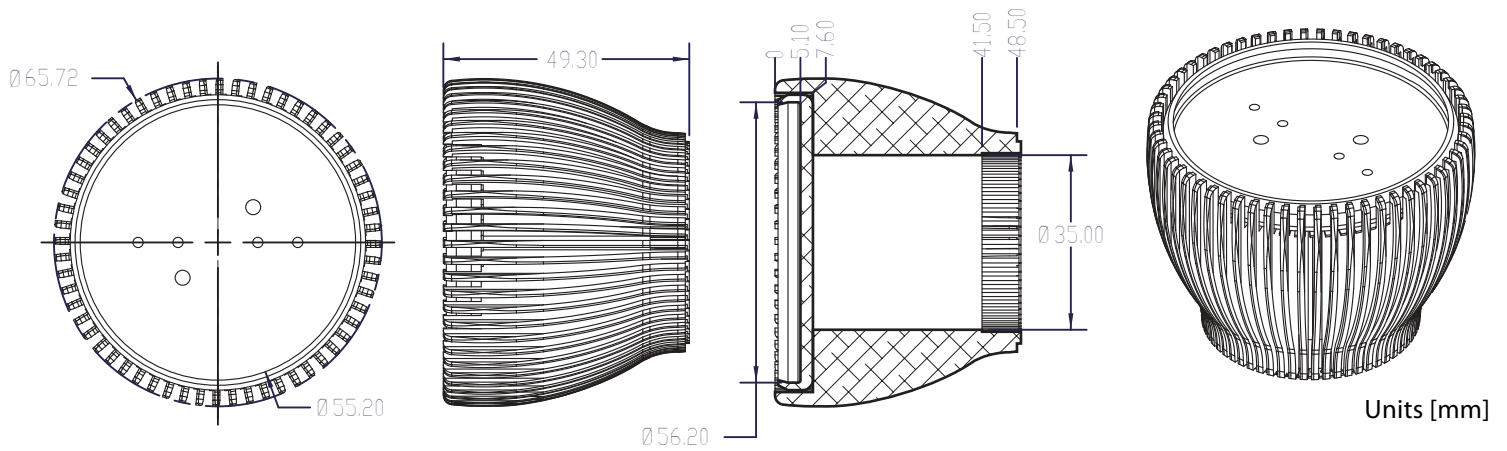


LH-64S49N

PAR20



DIMENSIONS DRAWING



Part Number	Dimensions		Material(s)	Surface Finish	Weight [Gram]	Maximum Power [Watt]	Bulb Shape	Manufacturing Processes
	Diameter [mm]	Height [mm]						
LH-64S49N	65.72	49.30	AL1050 AL6063	Nickle Plated	57.9	7	PAR20	Stamping Machining Soldering

** Specifications are subject to change without notice.