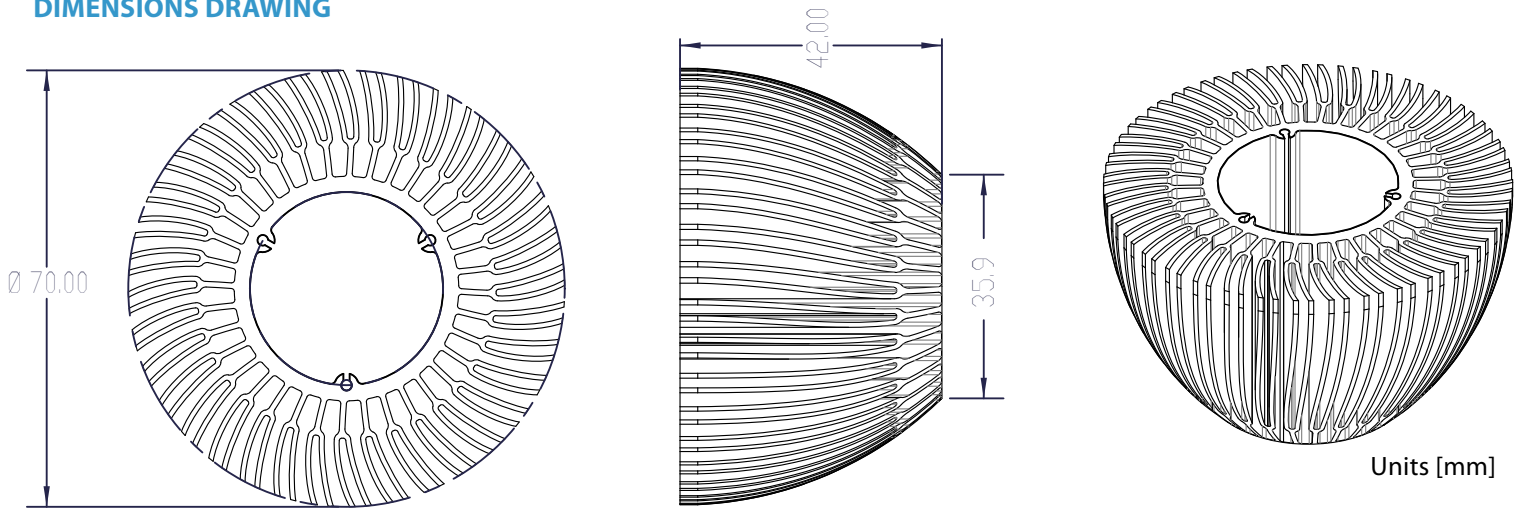


**LH-70E42C**

B100



**DIMENSIONS DRAWING**



Part Number	Dimensions		Material(s)	Surface Finish	Weight [Gram]	Maximum Power [Watt]	Bulb Shape	Manufacturing Processes
	Diameter [mm]	Height [mm]						
LH-70E42C	70.00	42.00	AL6063-T5	Clear Anodized	88.6	7	B100	Extrusion Machining

\*\* Specifications are subject to change without notice.