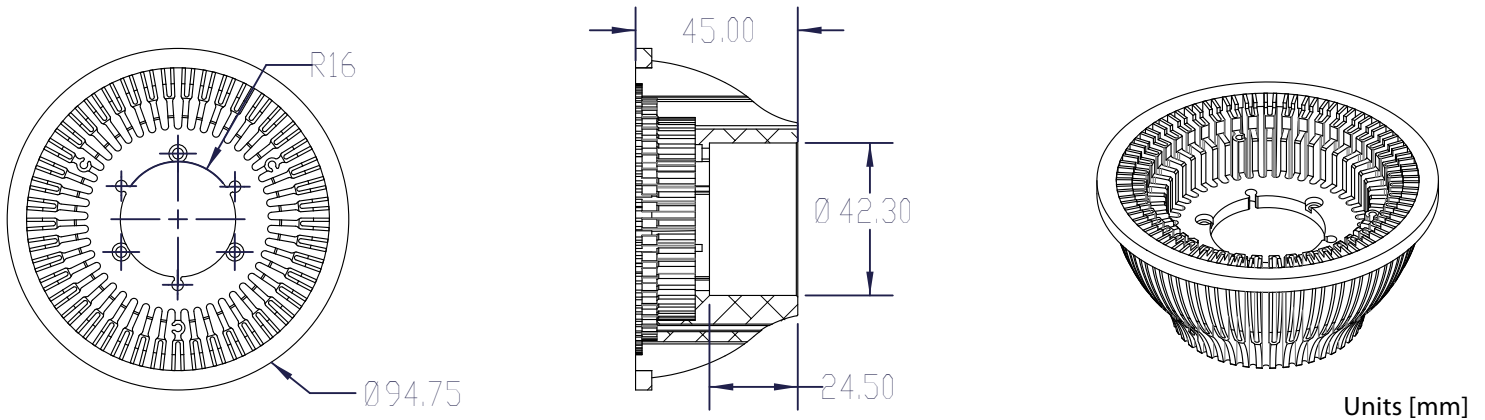


LH-95E45C

PAR30



DIMENSIONS DRAWING



Part Number	Dimensions		Material(s)	Surface Finish	Weight [Gram]	Maximum Power [Watt]	Bulb Shape	Manufacturing Processes
	Diameter [mm]	Height [mm]						
LH-95E45C	94.75	45.00	AL6063-T5	Clear Anodized	149.4	9	PAR30	Extrusion Machining

** Specifications are subject to change without notice.