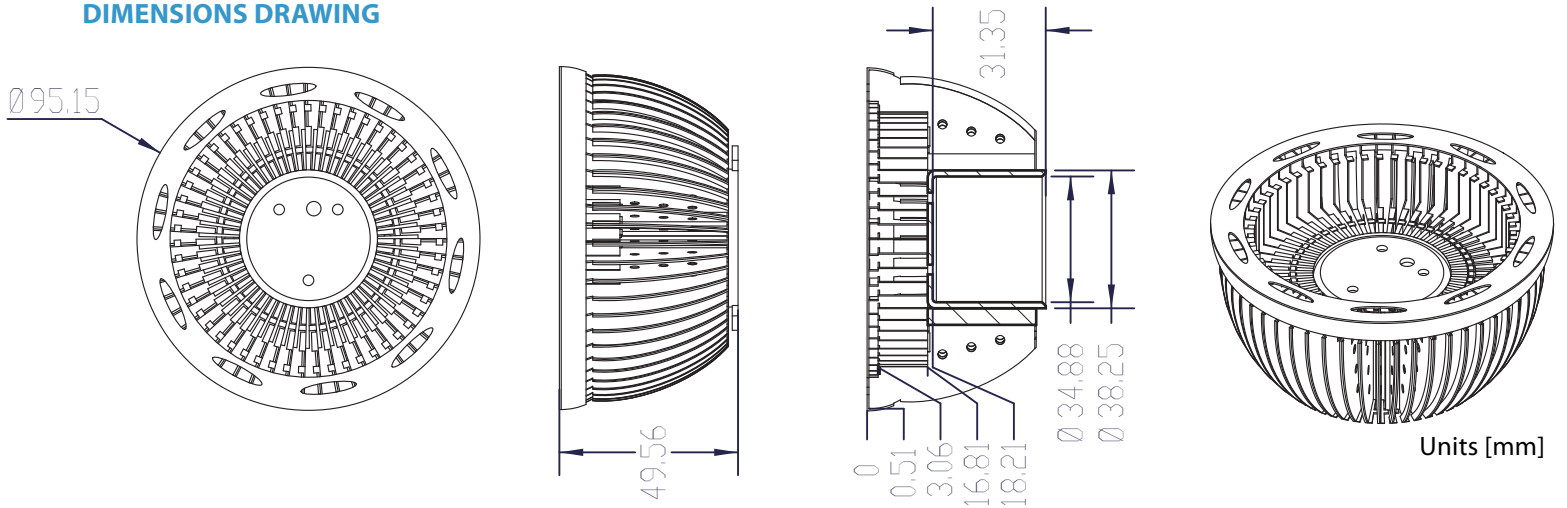


LH-95S50N

PAR30



DIMENSIONS DRAWING



Part Number	Dimensions		Material(s)	Surface Finish	Weight [Gram]	Maximum Power [Watt]	Bulb Shape	Manufacturing Processes
	Diameter [mm]	Height [mm]						
LH-95S50N	95.15	49.56	AL1050 AL6063	Nickle Plating Clear Anodized	84.5	12	PAR30	Stamping Machining Soldering

** Specifications are subject to change without notice.