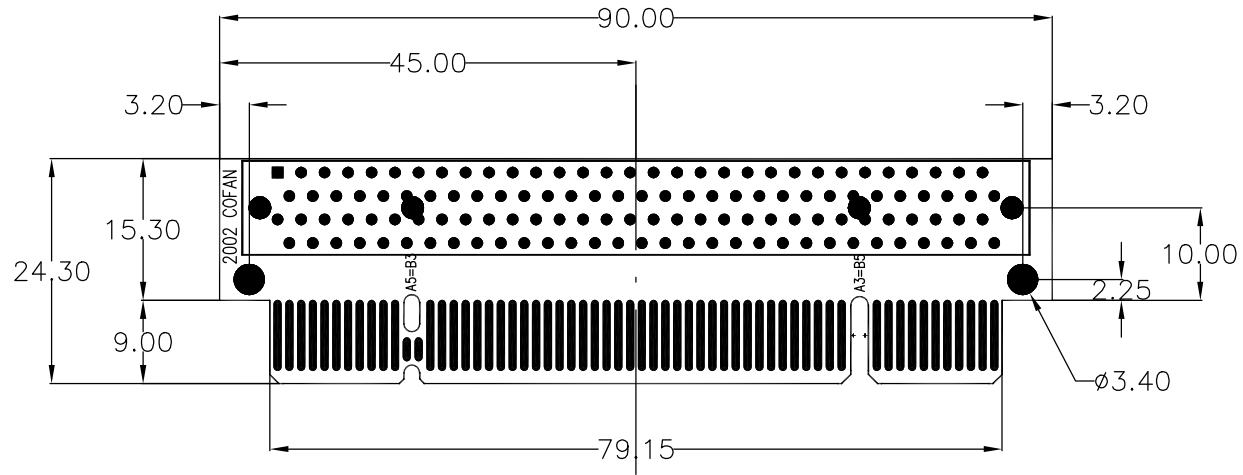



NOTICE - PROPRIETARY INFORMATION
 THE DESIGN AND RELATED INFORMATION CONTAINED HEREIN
 IS THE SOLE PROPERTY OF COFAN INC. THE DISCLOSURE
 OF THIS INFORMATION DOES NOT CONSTITUTE THE RELEASE OF
 ANY PROPRIETARY RIGHTS THEREIN. PERMISSION TO REPRODUCE
 THIS INFORMATION OR THE PRODUCTS DISCLOSED HEREIN
 MUST BE OBTAINED IN WRITING FROM COFAN INC.



DO NOT SCALE DRAWING UNLESS OTHERWISE SPECIFIED DIMENSIONS ARE IN INCHES TOLERANCES ARE:	DRAWING NUMBER: A-PCI-3/4		 43144 CHRISTY ST FREMONT CA 94583
	MATERIAL:		
1 PLACE .X ± .X	FINISH:		RISER CARD
2 PLACE .XX ± .XX	DRAWN BY: DEAN		
3 PLACE .XXX ± .XXX	PART NUMBER: 02-28-2002		REV: D
ANGLES EXCEPT 90° ± ANG	ENGINEER:		SHEET: 1 OF 1
MAXIMUM SURFACE ROUGHNESS xxx √			DATE DRAWN: DATE_DRAWN
			SCALE: 1 : 1