



Approval Specification for Pentium or Celeron M Passive Heatsink

Cofan Part # 30-1120 Rev 01

Revision Date: Jan-23-07

Cofan USA, 46177 Warm Springs Blvd, Fremont, CA 94539 www.cofan-usa.com (800) 766-6097

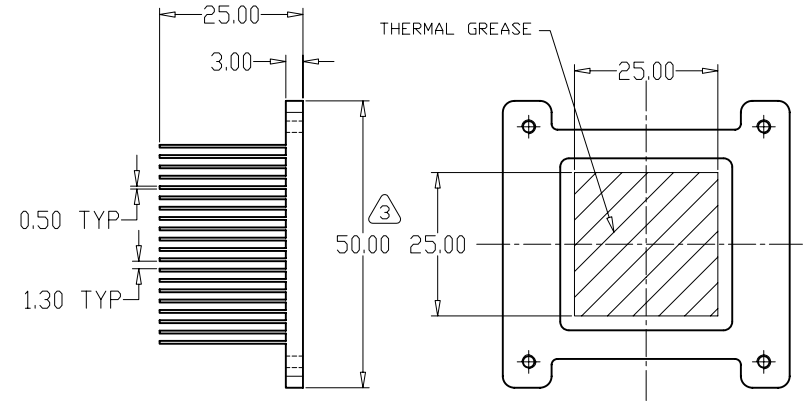
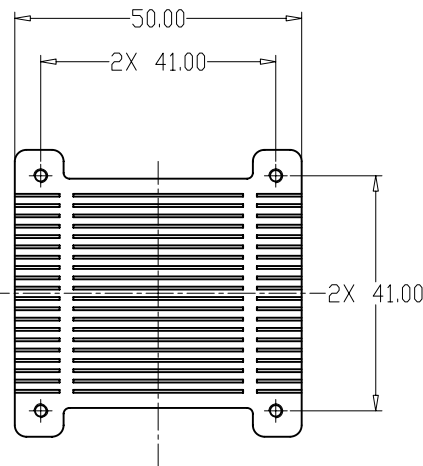
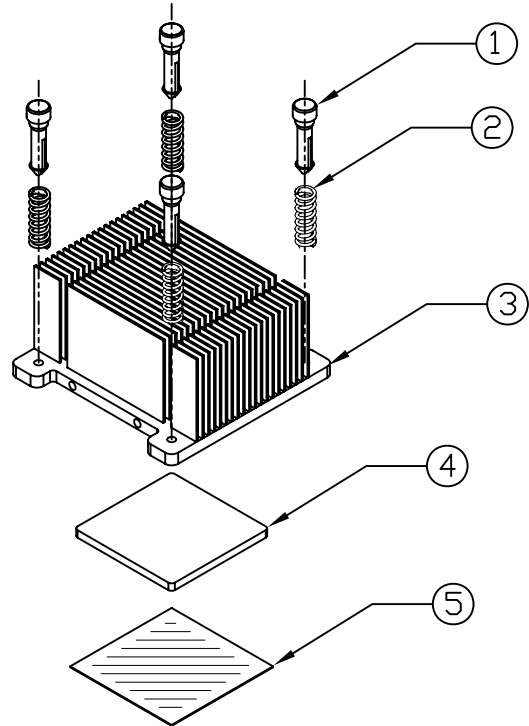
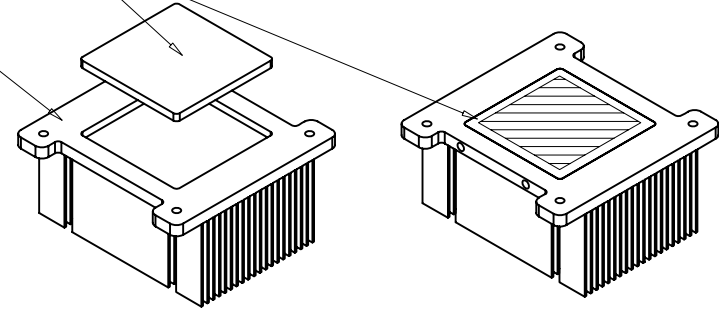
NOTICE - PROPRIETARY INFORMATION
 THE DESIGN AND RELATED INFORMATION CONTAINED HEREIN IS THE SOLE PROPERTY OF COFAN INC. THE DISCLOSURE OF THIS INFORMATION DOES NOT CONSTITUTE THE RELEASE OF ANY PROPRIETARY RIGHTS THEREIN. PERMISSION TO REPRODUCE THIS INFORMATION OR THE PRODUCTS DISCLOSED HEREIN MUST BE OBTAINED IN WRITING FROM COFAN INC.

| REVISION HISTORY | | | | | |
|------------------|-------------|------|-------|-------|------|
| REV | DESCRIPTION | DRWN | CHK'D | APPVD | DATE |
| --- | SEE SHEET 1 | --- | --- | --- | --- |

COPPER C11000 - (SOLDERED IN PLACE)

ALUMINUM 6063-T5

- NOTES
- 1 MATERIAL: ALUMINUM 6063-T5.
COPPER C11000 ETP - COPPER PLATE PER ASTM B152.
 - 2 FINISH: NICKEL PLATE.
 3. BREAK ALL SHARP EDGES AND CORNERS.
 4. ALL DIMENSIONS ARE TOLERANCED BY THE DECIMAL PLACE ON THE DRAWING AND IN THE TITLE BLOCK UNLESS NOTED ON THE DRAWING BY A SEPARATE TOLERANCE CALLOUT.



Note:

This part can be customized. This part can be made taller, spring/pin length can vary, etc.
 Call for details.

RoHS
 Compliant
 2002/95/EC

| Item | ITEM NAME | PART # | MATERIAL | FINISH | QTY |
|------|-------------|-------------|------------------------|---------------|-----|
| 5 | THERMAL PAD | ST801-25x25 | THERMAL GREASE, ST-801 | - | 1 |
| 4 | COPPER SLUG | 20-2063A | CU, SEE NOTE 1 | PASSIVATED | 1 |
| 3 | HEAT SINK | 20-2063 | AL6063-T5 | NICKEL PLATED | 1 |
| 2 | SPRING | 50-1008 | PIAND WIRE | NICKLE PLATED | 4 |
| 1 | PIN | 50-1016 | BRASS | DEGREASE | 4 |

| | | | | | |
|--|----------------|-------------------------------|---------------|--|-------------|
| DO NOT SCALE DRAWING <small>UNLESS OTHERWISE SPECIFIED DIMENSIONS ARE IN MILLIMETRE TOLERANCES ARE:</small> 1 PLACE .X ± 0.4 2 PLACE .XX ± 0.25 3 PLACE .XXX ± 0.13 ANGLES EXCEPT 90° ± 0.5° MAXIMUM SURFACE ROUGHNESS 6.3√ | MATERIAL: | CUSTOMER DRAWING NUMBER: | | <small>1400 FILTON PL. UNIT A FREMONT CA 94539</small> <small>www.cofan-usa.com</small> | |
| | FINISH: | CUSTOMER PART NUMBER: | | NAME: HeatSink, Passive, Celeron / Pentium M | |
| | DRAWN BY: Mark | COFAN DRAWING NUMBER: 30-1120 | SCALE: 1:1 | CUS REV: A | COF REV: 01 |
| | APPR BY: | COFAN PART NUMBER: 30-1120 | SHEET: 2 OF 2 | DATE DRAWN: Jan-23-2007 | |