



## Standard Ducted Heatsink Assembly

60mm Series

Revision Date: Jan 22, 2008

Cofan USA, 46177 Warm Springs Blvd Fremont, CA 94539 [www.cofan-usa.com](http://www.cofan-usa.com) (800) 766-6097

NOTICE - PROPRIETARY INFORMATION  
 THE DESIGN AND RELATED INFORMATION CONTAINED HEREIN IS THE SOLE PROPERTY OF COFAN INC. THE DISCLOSURE OF THIS INFORMATION DOES NOT CONSTITUTE THE RELEASE OF ANY PROPRIETARY RIGHTS THEREIN. PERMISSION TO REPRODUCE THIS INFORMATION OR THE PRODUCTS DISCLOSED HEREIN MUST BE OBTAINED IN WRITING FROM COFAN INC.

REVISION HISTORY					
REV	DESCRIPTION	DRWN	CHK'D	APPVD	DATE
-	-	-	-	-	-

NOTES:

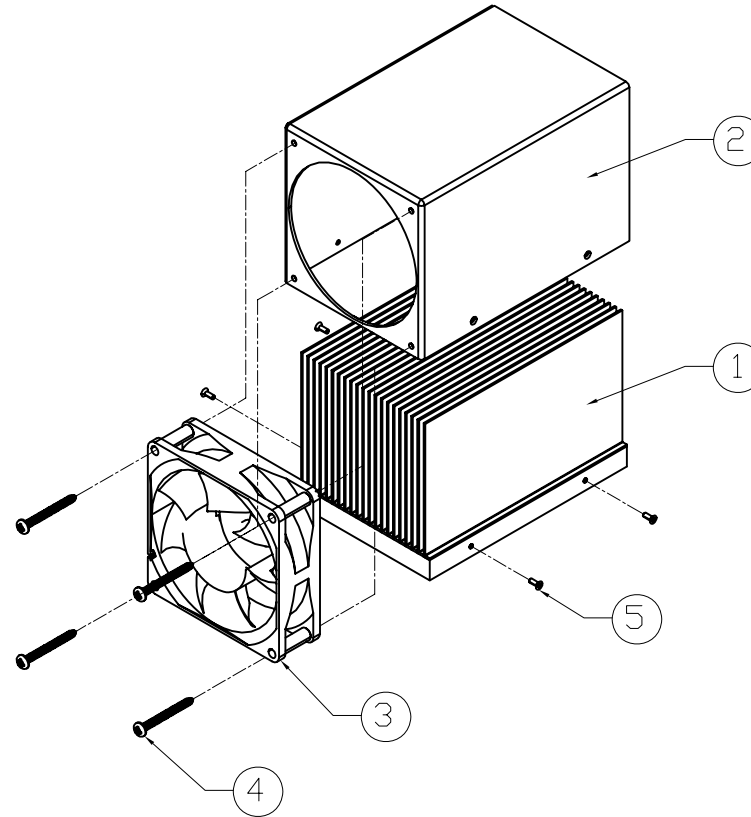
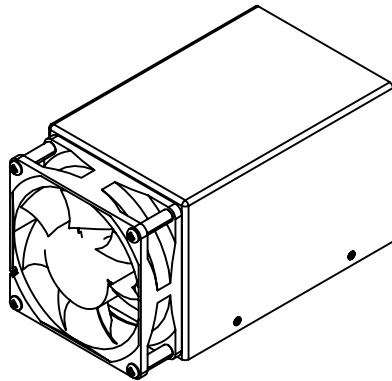
1. TO BUILD YOUR ASSEMBLY PART NUMBER USE THE FOLLOWING PARAMETERS:  
 AAAA-BB-CCCC

WHERE:

AAAA = MODEL 1 = 4010  
 MODEL 2 = 4020  
 MODEL 3 = 4028  
 BB = VOLTAGE RATING OF FAN  
 CCCC = RPM OF FAN

EXAMPLE:

4028-05-5000; CORRESPONDS TO MODEL 3, 5V AND 5000 RPM FAN.



PARTS LIST			
ITEM	DESCRIPTION	Material	QTY
5	M2 SCREW	STAINLESS STEEL / PASSIVATE / M2X 5.0mm	4
4	FAN SCREW	STEEL / BLACK ZINC PLATE / M3	4
3	FAN	SEE MODEL INFO	1
2	DUCT	AL 6061-T6, BLACK ANODIZE	1
1	HEATSINK	AL 6063-T5, ELECTROLESS NICKEL	1

MODEL INFO	
60mm Model 1	60x10mm II Fan, V=5, 12, 24, RPM = 3000, 3600, 4200, 4800
60mm Model 2	60x15mm I Fan, V=5, 12, 24, RPM = 3000, 3800, 4600, 5400
60mm Model 3	60x25mm Fan, V=5, 12, 24, RPM = 2600, 3400, 4200, 5000

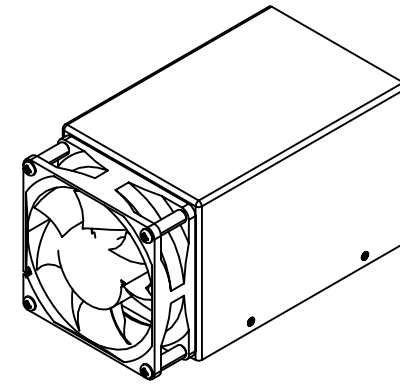
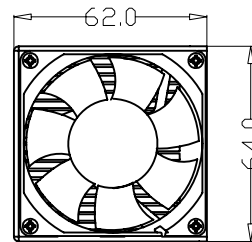
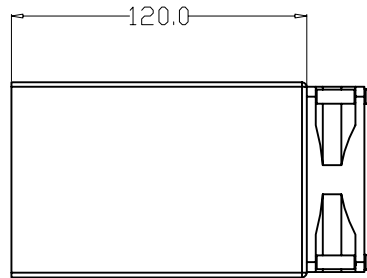
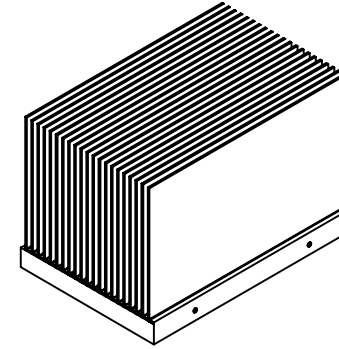
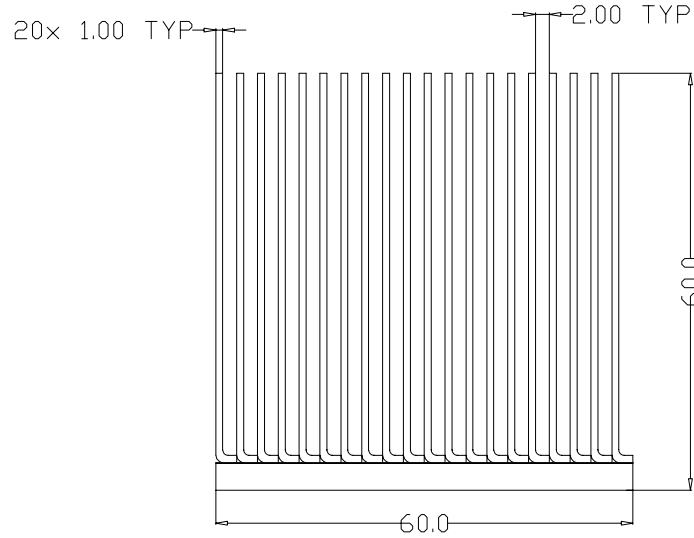
RoHS  
 COMPLIANT  
 2002/95/EC


\*\*\*ON ALL MODELS, MORE FAN CONFIGURATIONS AVAILABLE AS WELL AS CUSTOMIZED HEATSINK PROFILES

DO NOT SCALE DRAWING		NAME:	DATE:	CUSTOMER DRAWING NUMBER:	 46177 WARM SPRINGS BLVD FREMONT CA 94539			
UNLESS OTHERWISE SPECIFIED DIMENSIONS ARE IN MILLIMETRE TOLERANCES ARE:		DRAWN BY:	Jun	06/12/07	CUSTOMER PART NUMBER:	NAME: CUSTOM DUCTED HEATSINK		
1 PLACE .X	± 0.25	CHECKED BY:			CUSTOMER DRAWING NUMBER:	SCALE:	CUS REV:	COF REV:
2 PLACE .XX	± 0.13	CHECKED BY:			AAAA-BB-CCCC	NONE	01	01
3 PLACE .XXX	± 0.08	APPR BY:			CUSTOMER DRAWING NUMBER:	SHEET:	DATE DRAWN:	
ANGLES EXCEPT 90°	± 0.5°				AAAA-BB-CCCC	1 OF 2	June-28-2007	
MAXIMUM SURFACE ROUGHNESS	6.4							

NOTICE - PROPRIETARY INFORMATION  
 THE DESIGN AND RELATED INFORMATION CONTAINED HEREIN  
 IS THE SOLE PROPERTY OF COFAN INC. THE DISCLOSURE  
 OF THIS INFORMATION DOES NOT CONSTITUTE THE RELEASE OF  
 ANY PROPRIETARY RIGHTS THEREIN. PERMISSION TO REPRODUCE  
 THIS INFORMATION OR THE PRODUCTS DISCLOSED HEREIN  
 MUST BE OBTAINED IN WRITING FROM COFAN INC.

REVISION HISTORY					
REV	DESCRIPTION	DRWN	CHK'D	APPVD	DATE
-	-	-	-	-	-



<b>DO NOT SCALE DRAWING</b>		NAME:	DATE:	CUSTOMER DRAWING NUMBER:	 46177 WARM SPRINGS BLVD FREMONT CA 94539		
UNLESS OTHERWISE SPECIFIED DIMENSIONS ARE IN MILLIMETRE TOLERANCES ARE:		DRAWN BY: Jun	06/28/07	[----]	NAME: CUSTOM MACHINED DUCTED HEATSINK		
1 PLACE .X	± 0.25	CHECKED BY:		CUSTOMER PART NUMBER:	[----]		
2 PLACE .XX	± 0.13	CHECKED BY:		COFAN DRAWING NUMBER:	SCALE:	CUS REV:	COF REV:
3 PLACE .XXX	± 0.08	CHECKED BY:		AAAA-BB-CCCC	NONE	01	01
ANGLES EXCEPT 90°	± 0.5°	APPR BY:		COFAN PART NUMBER:	SHEET:		DATE DRAWN:
MAXIMUM SURFACE ROUGHNESS	6.4			AAAA-BB-CCCC	2 OF 2		June-28-2007

RoHS  
 COMPLIANT  
 2002/95/EC