



Standard Ducted Heatsink Assembly

70mm Series

Revision Date: Jan 22, 2008

Cofan USA, 46177 Warm Springs Blvd Fremont, CA 94539 www.cofan-usa.com (800) 766-6097

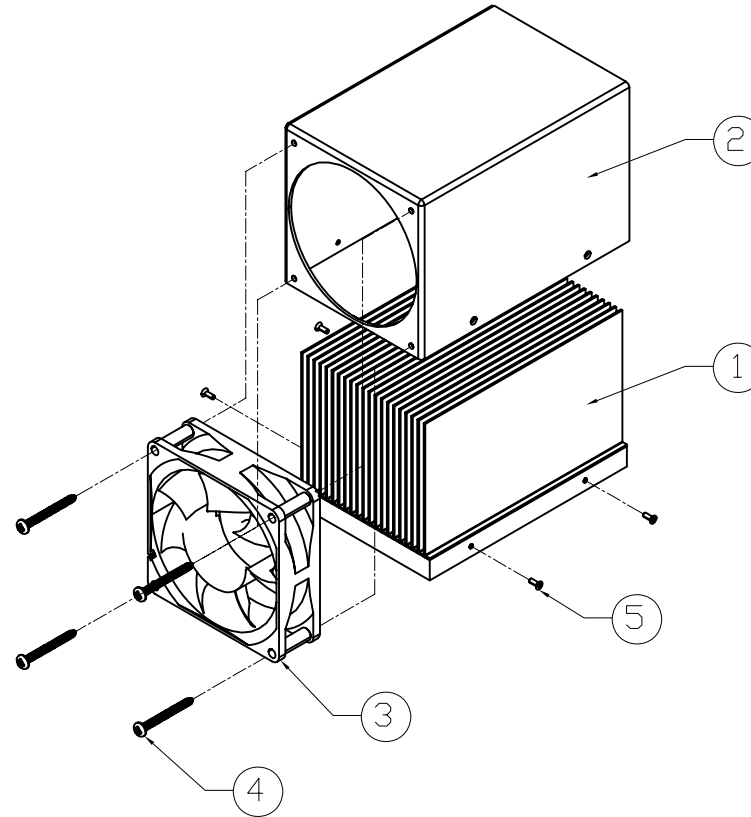
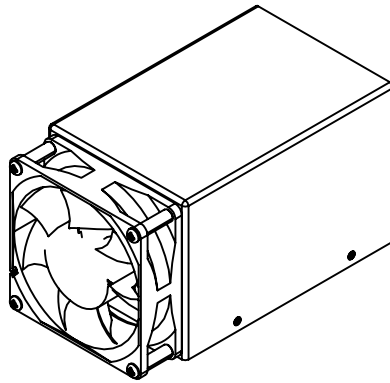
NOTICE - PROPRIETARY INFORMATION
 THE DESIGN AND RELATED INFORMATION CONTAINED HEREIN IS THE SOLE PROPERTY OF COFAN INC. THE DISCLOSURE OF THIS INFORMATION DOES NOT CONSTITUTE THE RELEASE OF ANY PROPRIETARY RIGHTS THEREIN. PERMISSION TO REPRODUCE THIS INFORMATION OR THE PRODUCTS DISCLOSED HEREIN MUST BE OBTAINED IN WRITING FROM COFAN, INC.

REVISION HISTORY					
REV	DESCRIPTION	DRWN	CHK'D	APPVD	DATE
-	-	-	-	-	-

NOTES:
 1. TO BUILD YOUR ASSEMBLY PART NUMBER USE THE FOLLOWING PARAMETERS:
 AAAA-BB-CCCC

WHERE:
 AAAA = MODEL 1 = 4010
 MODEL 2 = 4020
 MODEL 3 = 4028
 BB = VOLTAGE RATING OF FAN
 CCCC = RPM OF FAN

EXAMPLE:
 4028-05-5000; CORRESPONDS TO MODEL 3, 5V AND 5000 RPM FAN.



PARTS LIST			
ITEM	DESCRIPTION	Material	QTY
5	M2 SCREW	STAINLESS STEEL / PASSIVATE / M2X 5.0mm	4
4	FAN SCREW	STEEL / BLACK ZINC PLATE / M3	4
3	FAN	SEE MODEL INFO	1
2	DUCT	AL 6061-T6, BLACK ANODIZE	1
1	HEATSINK	AL 6063-T5, ELECTROLESS NICKEL	1

MODEL INFO	
70mm Model 1	70x10mm Fan, V=5, 12, 24, RPM = 2600, 3200, 3800, 4400
70mm Model 2	70x15mm I Fan, V=7, 12, 24, RPM = 2600, 3200, 3800, 4400
70mm Model 3	70x25mm I Fan, V=5, 12, 24, RPM = 2600, 3200, 6800, 4400

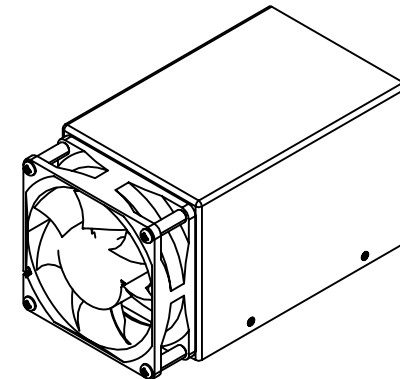
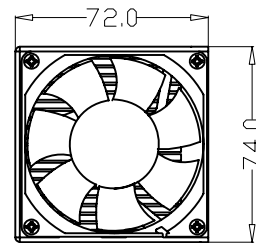
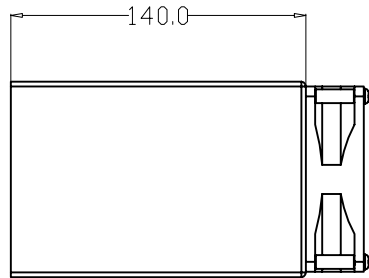
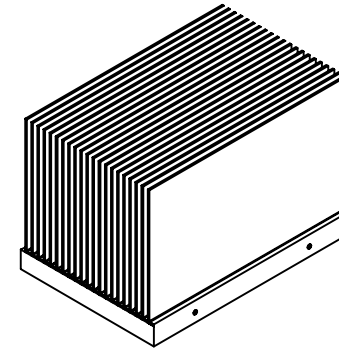
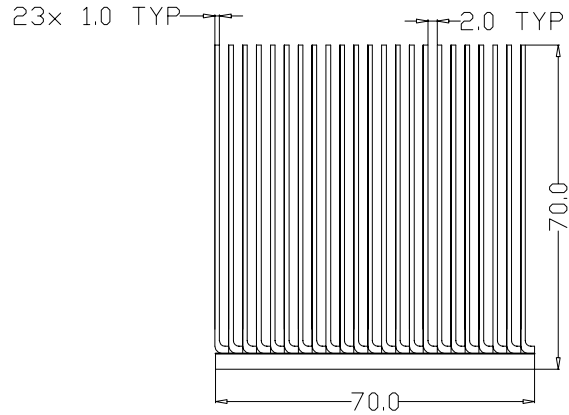
RoHS
 COMPLIANT
 2002/95/EC


***ON ALL MODELS, MORE FAN CONFIGURATIONS AVAILABLE AS WELL AS CUSTOMIZED HEATSINK PROFILES

DO NOT SCALE DRAWING		NAME:	DATE:	CUSTOMER DRAWING NUMBER:	 46177 WARM SPRINGS BLVD FREMONT CA 94539			
UNLESS OTHERWISE SPECIFIED DIMENSIONS ARE IN MILLIMETRE TOLERANCES ARE:		DRAWN BY:	Jun	06/12/07	CUSTOMER PART NUMBER:	NAME: CUSTOM DUCTED HEATSINK		
1 PLACE .X	± 0.25	CHECKED BY:			CDFAN DRAWING NUMBER:	SCALE:	CUS REV:	CDF REV:
2 PLACE .XX	± 0.13	CHECKED BY:			AAAA-BB-CCCC	NONE	01	01
3 PLACE .XXX	± 0.08	APPR BY:			CDFAN PART NUMBER:	SHEET:	DATE DRAWN:	
ANGLES EXCEPT 90°	± 0.5°				AAAA-BB-CCCC	1 OF 2	June-28-2007	
MAXIMUM SURFACE ROUGHNESS	6.4							

NOTICE - PROPRIETARY INFORMATION
 THE DESIGN AND RELATED INFORMATION CONTAINED HEREIN IS THE SOLE PROPERTY OF COFAN INC. THE DISCLOSURE OF THIS INFORMATION DOES NOT CONSTITUTE THE RELEASE OF ANY PROPRIETARY RIGHTS THEREIN. PERMISSION TO REPRODUCE THIS INFORMATION OR THE PRODUCTS DISCLOSED HEREIN MUST BE OBTAINED IN WRITING FROM COFAN INC.

REVISION HISTORY					
REV	DESCRIPTION	DRWN	CHK'D	APPVD	DATE
-	-	-	-	-	-



DO NOT SCALE DRAWING		NAME:	DATE:	CUSTOMER DRAWING NUMBER:	 46177 WARM SPRINGS BLVD FREMONT CA 94539		
UNLESS OTHERWISE SPECIFIED DIMENSIONS ARE IN MILLIMETRE TOLERANCES ARE:		DRAWN BY:	Jun	06/28/07	CUSTOMER PART NUMBER:	NAME:	
1 PLACE .X	± 0.25	CHECKED BY:			[-----]	CUSTOM MACHINED DUCTED HEATSINK	
2 PLACE .XX	± 0.13	CHECKED BY:			[-----]	SCALE:	CUS REV:
3 PLACE .XXX	± 0.08	CHECKED BY:			COFAN DRAWING NUMBER:	NONE	01
ANGLES EXCEPT 90°	± 0.5°	APPR BY:			AAAA-BB-CCCC		01
MAXIMUM SURFACE ROUGHNESS	6.4				CDFAN PART NUMBER:	SHEET:	DATE DRAWN:
					AAAA-BB-CCCC	2 OF 2	June-28-2007

RoHS
 COMPLIANT
 2002/95/EC