



Standard Ducted Heatsink Assembly

80mm Series

Revision Date: Jan 22, 2008

Cofan USA, 46177 Warm Springs Blvd Fremont, CA 94539 www.cofan-usa.com (800) 766-6097

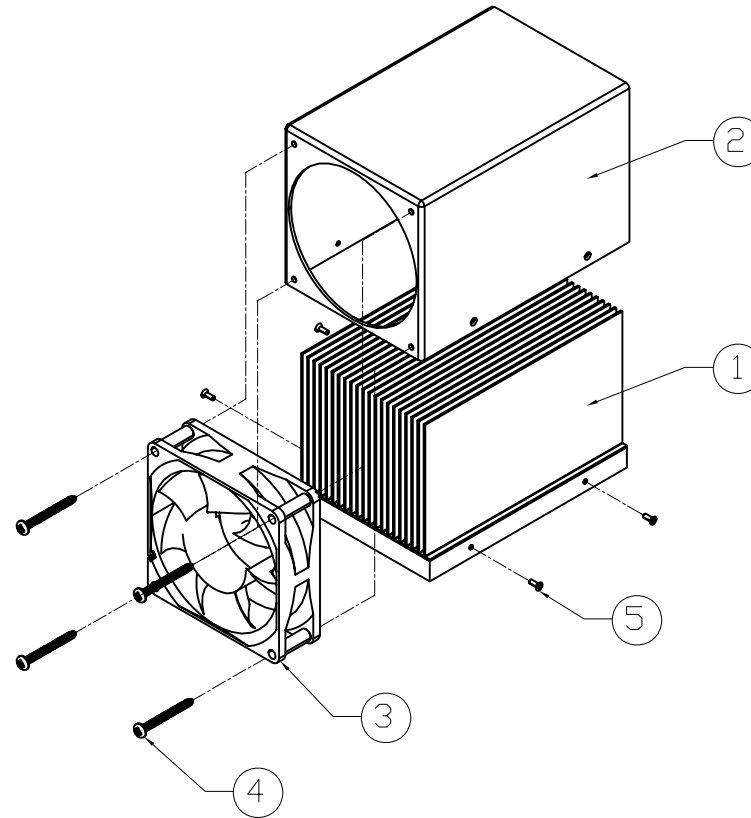
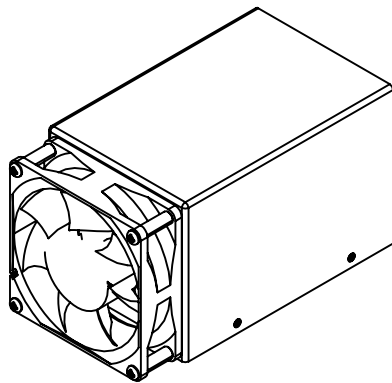
NOTICE - PROPRIETARY INFORMATION
 THE DESIGN AND RELATED INFORMATION CONTAINED HEREIN IS THE SOLE PROPERTY OF COFAN INC. THE DISCLOSURE OF THIS INFORMATION DOES NOT CONSTITUTE THE RELEASE OF ANY PROPRIETARY RIGHTS THEREIN. PERMISSION TO REPRODUCE THIS INFORMATION OR THE PRODUCTS DISCLOSED HEREIN MUST BE OBTAINED IN WRITING FROM COFAN INC.

REVISION HISTORY					
REV	DESCRIPTION	DRWN	CHK'D	APPVD	DATE
-	-	-	-	-	-

NOTES:
 [1.] TO BUILD YOUR ASSEMBLY PART NUMBER USE THE FOLLOWING PARAMETERS:
 AAAA-BB-CCCC

WHERE:
 AAAA = MODEL 1 = 4010
 MODEL 2 = 4020
 MODEL 3 = 4028
 BB = VOLTAGE RATING OF FAN
 CCCC = RPM OF FAN

EXAMPLE:
 4028-05-5000; CORRESPONDS TO MODEL 3, 5V AND 5000 RPM FAN.



PARTS LIST			
ITEM	DESCRIPTION	Material	QTY
5	M2 SCREW	STAINLESS STEEL / PASSIVATE / M2X 5.0mm	4
4	FAN SCREW	STEEL / BLACK ZINC PLATE / M3	4
3	FAN	SEE MODEL INFO	1
2	DUCT	AL 6061-T6, BLACK ANODIZE	1
1	HEATSINK	AL 6063-T5, ELECTROLESS NICKEL	1

MODEL INFO	
80mm Model 1	80x15mm II Fan, V=12, 24, RPM = 2000, 2500, 3000, 3300
80mm Model 2	80x20mm Fan, V=12, 24, RPM = 2000, 2600, 3200, 3800
80mm Model 3	80x25mm I Fan, V=5, 12, 24, RPM = 2000, 2500, 3000, 3500

RoHS
 COMPLIANT
 2002/95/EC

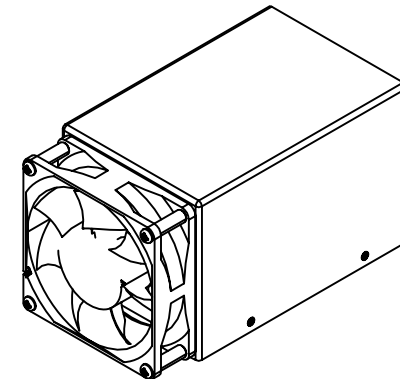
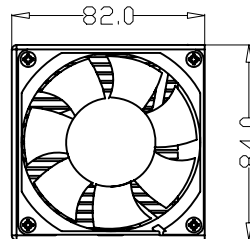
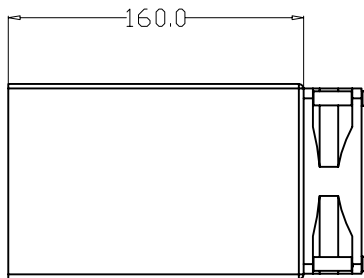
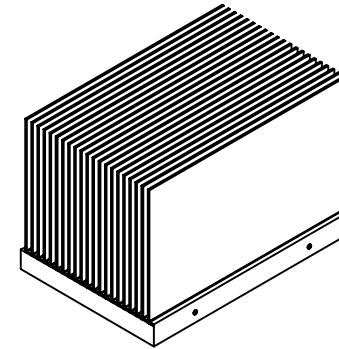
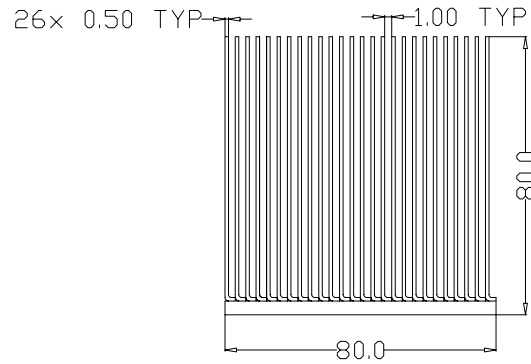
DO NOT SCALE DRAWING
 UNLESS OTHERWISE SPECIFIED
 DIMENSIONS ARE IN MILLIMETRE
 TOLERANCES ARE:
 1 PLACE .X ± 0.25
 2 PLACE .XX ± 0.13
 3 PLACE .XXX ± 0.08
 ANGLES EXCEPT 90° ± 0.5°
 MAXIMUM SURFACE ROUGHNESS 6.4


NAME: Jun DATE: 06/12/07
 DRAWN BY: Jun
 CHECKED BY:
 CHECKED BY:
 APPR BY:

CUSTOMER DRAWING NUMBER: [----]
 CUSTOMER PART NUMBER: [----]
 CUSTOMER DRAWING NUMBER: AAAA-BB-CCCC
 CUSTOMER DRAWING NUMBER: AAAA-BB-CCCC
 NAME: CUSTOM DUCTED HEATSINK
 SCALE: NONE CUS REV: 01 CDF REV: 01
 SHEET: 1 OF 2 DATE DRAWN: June-28-2007

NOTICE - PROPRIETARY INFORMATION
 THE DESIGN AND RELATED INFORMATION CONTAINED HEREIN
 IS THE SOLE PROPERTY OF COFAN INC. THE DISCLOSURE
 OF THIS INFORMATION DOES NOT CONSTITUTE THE RELEASE OF
 ANY PROPRIETARY RIGHTS THEREIN. PERMISSION TO REPRODUCE
 THIS INFORMATION OR THE PRODUCTS DISCLOSED HEREIN
 MUST BE OBTAINED IN WRITING FROM COFAN INC.

REVISION HISTORY					
REV	DESCRIPTION	DRWN	CHK'D	APPVD	DATE
-	-	-	-	-	-



DO NOT SCALE DRAWING		NAME:	DATE:	CUSTOMER DRAWING NUMBER:			
UNLESS OTHERWISE SPECIFIED DIMENSIONS ARE IN MILLIMETRE TOLERANCES ARE:		DRAWN BY: Jun	06/28/07	[----]	46177 WARM SPRINGS BLVD FREMONT CA 94539		
1 PLACE .X	± 0.25	CHECKED BY:		CUSTOMER PART NUMBER:	NAME:		
2 PLACE .XX	± 0.13	CHECKED BY:		[----]	CUSTOM MACHINED DUCTED HEATSINK		
3 PLACE .XXX	± 0.08	CHECKED BY:		COFAN DRAWING NUMBER:	SCALE:	CUS REV:	COF REV:
ANGLES EXCEPT 90°	± 0.5°	APPR BY:		AAAA-BB-CCCC	NONE	01	01
MAXIMUM SURFACE ROUGHNESS	6.3			COFAN PART NUMBER:	SHEET:	DATE DRAWN:	
				AAAA-BB-CCCC	2 OF 2	June-28-2007	

RoHS
 COMPLIANT
 2002/95/EC