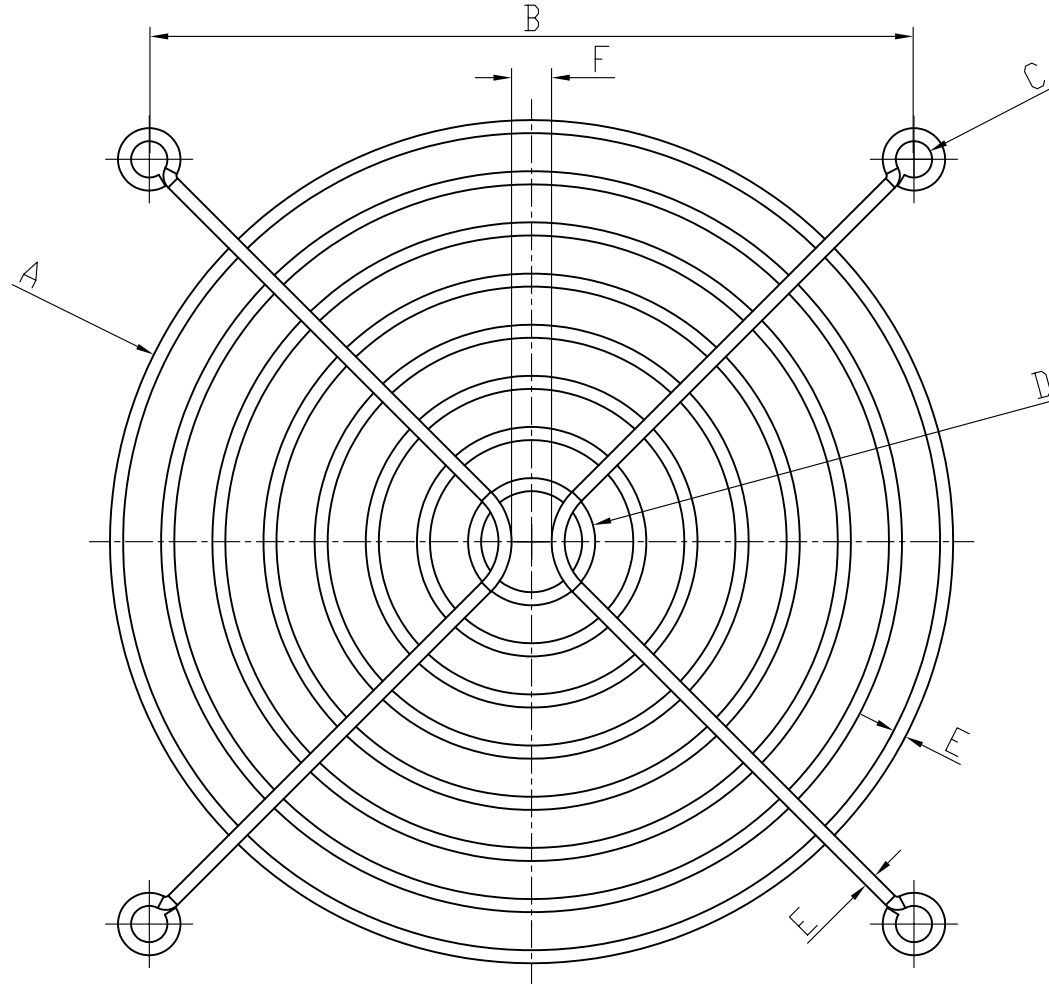


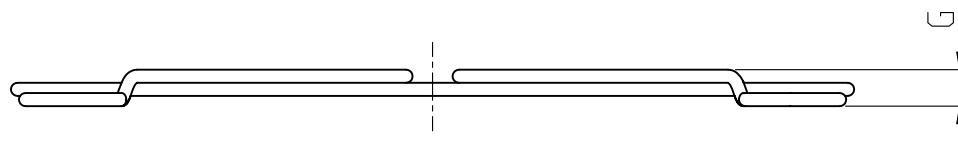
NOTICE - PROPRIETARY INFORMATION
 THE DESIGN AND RELATED INFORMATION CONTAINED HEREIN
 IS THE SOLE PROPERTY OF COFAN INC. THE DISCLOSURE
 OF THIS INFORMATION DOES NOT CONSTITUTE THE RELEASE OF
 ANY PROPRIETARY RIGHTS THEREIN. PERMISSION TO REPRODUCE
 THIS INFORMATION OR THE PRODUCTS DISCLOSED HEREIN
 MUST BE OBTAINED IN WRITING FROM COFAN INC.

REVISION HISTORY					
REV	DESCRIPTION	DRWN	CHK'D	APPVD	DATE
---	SEE SHEET 1	---	---	---	---

A	B	C	D	E	F	G
116±0.5	105.2±0.4	5.0±0.1	17.5±0.3	1.8±0.2	5.5±0.3	5.0±0.5



COFAN 120MM FAN GUARD
 COFAN PART # FG120CP



DD NOT SCALE DRAWING UNLESS OTHERWISE SPECIFIED DIMENSIONS ARE IN MILLIMETRE TOLERANCES ARE: 1 0-6 ± 0.1 2 6-12 ± 0.15 3 12~ ± 0.2 ANGLES EXCEPT 90° ± 2° MAXIMUM SURFACE ROUGHNESS 12.5 √	MATERIAL: MB	CUSTOMER DRAWING NUMBER: ---	Cofan USA 1400 FULTON PL. UNIT A FREMONT CA 94539		
	FINISH: (CHROMEPLATE)	CUSTOMER PART NUMBER: WL120	NAME: 120mm		
	DRAWN BY: ZHENG	COFAN DRAWING NUMBER: ---	SCALE: 1:1	CUS REV: 01	COF REV: 01
APPR BY:	COFAN PART NUMBER: FG4120CP	SHEET: 1 OF 1	DATE DRAWN: 02-18-2004		