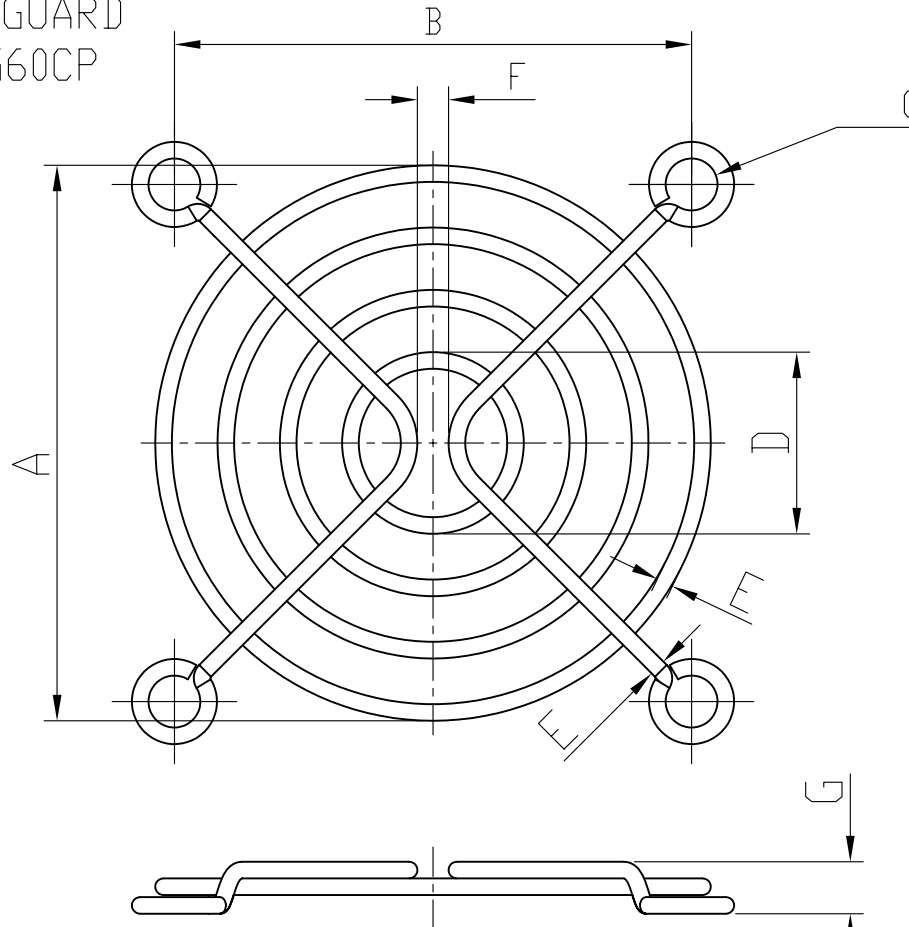


NOTICE - PROPRIETARY INFORMATION  
 THE DESIGN AND RELATED INFORMATION CONTAINED HEREIN  
 IS THE SOLE PROPERTY OF COFAN INC. THE DISCLOSURE  
 OF THIS INFORMATION DOES NOT CONSTITUTE THE RELEASE OF  
 ANY PROPRIETARY RIGHTS THEREIN. PERMISSION TO REPRODUCE  
 THIS INFORMATION OR THE PRODUCTS DISCLOSED HEREIN  
 MUST BE OBTAINED IN WRITING FROM COFAN INC.

REVISION HISTORY					
REV	DESCRIPTION	DRWN	CHK'D	APPVD	DATE
---	SEE SHEET 1	---	---	---	---

A	B	C	D	E	F	G
53.5±0.5	49.8±0.3	5.0±0.2	17.5±0.5	1.6±0.2	3.0±0.5	5.0±0.5

COFAN 60MM FAN GUARD  
 COFAN PART # FG60CP



DO NOT SCALE DRAWING UNLESS OTHERWISE SPECIFIED DIMENSIONS ARE IN MILLIMETRE TOLERANCES ARE: 1 0-6 $\pm 0.1$ 2 6-12 $\pm 0.15$ 3 12- $\pm 0.2$ ANGLES EXCEPT 90° $\pm 2'$ MAXIMUM SURFACE ROUGHNESS $125 \sqrt{\text{ }}$	MATERIAL:	MB	CUSTOMER DRAWING NUMBER:	---	<b>Cofan USA</b> 1400 FULTON PL. UNIT A FREMONT CA 94539					
	FINISH:	(CHROMEPLATE)	CUSTOMER PART NUMBER:	WLA60	NAME: 60mm					
	DRAWN BY:	ZHENG	COFAN DRAWING NUMBER:	---	SCALE:	2:1	CUS REV:	01	COF REV:	01
	APPR BY:		COFAN PART NUMBER:	FG60CP	SHEET:	1 OF 1	DATE DRAWN:	02-18-2004		