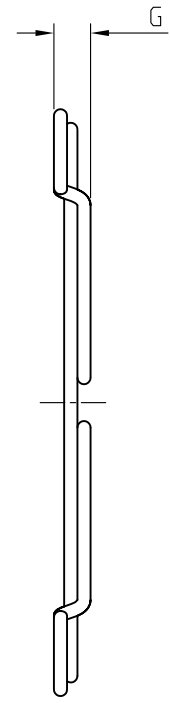
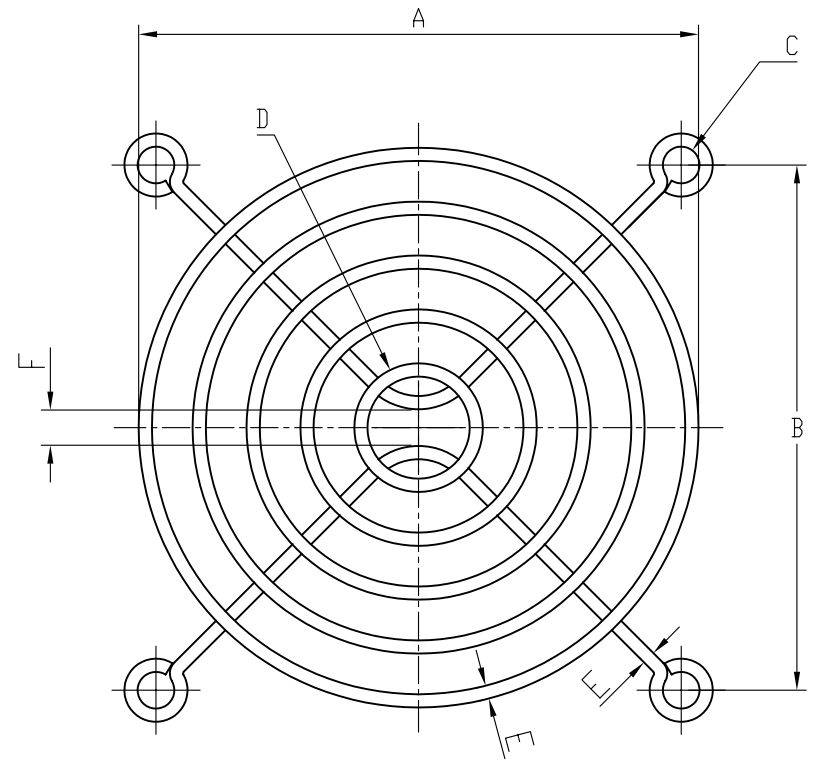


NOTICE - PROPRIETARY INFORMATION
 THE DESIGN AND RELATED INFORMATION CONTAINED HEREIN
 IS THE SOLE PROPERTY OF COFAN INC. THE DISCLOSURE
 OF THIS INFORMATION DOES NOT CONSTITUTE THE RELEASE OF
 ANY PROPRIETARY RIGHTS THEREIN. PERMISSION TO REPRODUCE
 THIS INFORMATION OR THE PRODUCTS DISCLOSED HEREIN
 MUST BE OBTAINED IN WRITING FROM COFAN INC.

REVISION HISTORY					
REV	DESCRIPTION	DRWN	CHK'D	APPVD	DATE
—	— SEE SHEET 1 —	—	—	—	—

A	B	C	D	E	F	G
76.2±0.5	71.5±0.3	5.0±0.2	17.5±0.5	1.8±0.2	5.0±0.5	5.0±0.5



COFAN 80MM FAN GUARD
 COFAN PART # FG80CP

DO NOT SCALE DRAWING UNLESS OTHERWISE SPECIFIED DIMENSIONS ARE IN MILLIMETRE TOLERANCES ARE: 1 0-6 ± 0.1 2 6-12 ± 0.15 3 12- ± 0.2 ANGLES EXCEPT 90° ± 2° MAXIMUM SURFACE ROUGHNESS 125√	MATERIAL: 8M	CUSTOMER DRAWING NUMBER: ---	1400 FULTON PL. UNIT A FREMONT CA 94539 NAME: 80mm		
	FINISH: (CHROMEPLATE)	CUSTOMER PART NUMBER: WLA80	DRAWN BY: ZHENG	COFAN DRAWING NUMBER: ---	SCALE: 1:1
	APPR BY:	COFAN PART NUMBER: FG80CP	CUS REV: 01	COF REV: 01	DATE DRAWN: 02-18-2004
			SHEET: 1 OF 1		