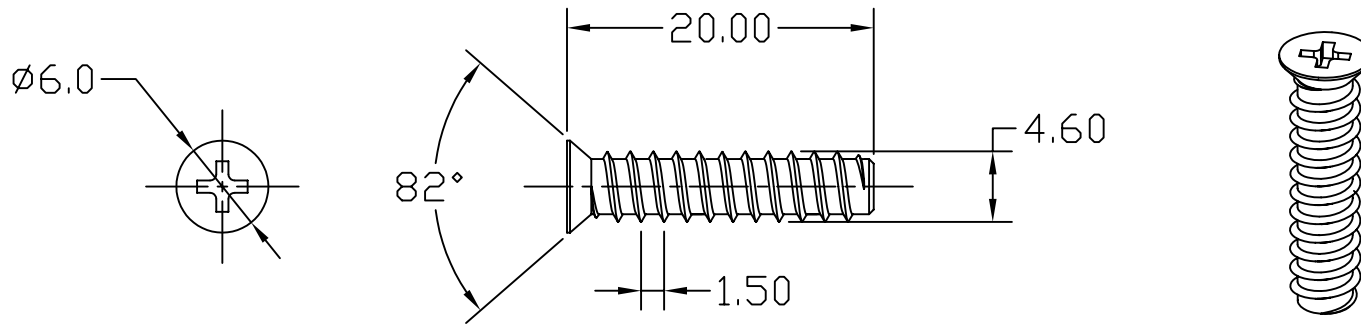


NOTICE - PROPRIETARY INFORMATION
 THE DESIGN AND RELATED INFORMATION CONTAINED HEREIN
 IS THE SOLE PROPERTY OF COFAN INC. THE DISCLOSURE
 OF THIS INFORMATION DOES NOT CONSTITUTE THE RELEASE OF
 ANY PROPRIETARY RIGHTS THEREIN. PERMISSION TO REPRODUCE
 THIS INFORMATION OR THE PRODUCTS DISCLOSED HEREIN
 MUST BE OBTAINED IN WRITING FROM COFAN INC.

Cofan USA Part Number FS462082



DO NOT SCALE DRAWING <small>UNLESS OTHERWISE SPECIFIED DIMENSIONS ARE IN MILLIMETRE TOLERANCES ARE:</small> 1 PLACE .X ± 0.4 2 PLACE .XX ± 0.25 3 PLACE .XXX ± 0.13 <small>ANGLES EXCEPT 90° ± 1°</small> <small>MAXIMUM SURFACE ROUGHNESS</small> 125 ✓	MATERIAL:	CUSTOMER DRAWING NUMBER:		
	STEEL	-		
	FINISH:	CUSTOMER PART NUMBER:		
	ZINC PLATED	-		
DRAWN BY:	<i>Dan</i>	COFAN DRAWING NUMBER:	SCALE:	CUS REV:
		-	2:1	01
APPR BY:		COFAN PART NUMBER:	SHEET:	DATE DRAWN:
		FS462082	1 OF 1	Jan-29-2004

COFAN USA
 1400 FULTON PL. UNIT A FREMONT CA 94539

NAME: FAN SCREW