
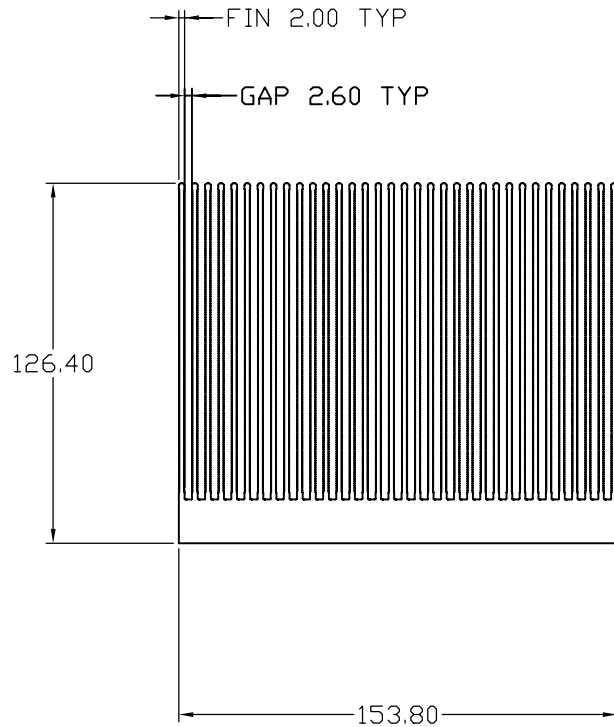
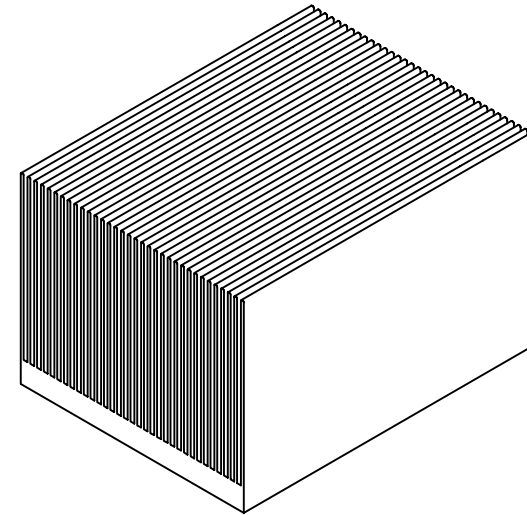



NOTICE - PROPRIETARY INFORMATION
 THE DESIGN AND RELATED INFORMATION CONTAINED HEREIN
 IS THE SOLE PROPERTY OF COFAN USA INC. THE DISCLOSURE
 OF THIS INFORMATION DOES NOT CONSTITUTE THE RELEASE OF
 ANY PROPRIETARY RIGHTS THEREIN. PERMISSION TO REPRODUCE
 THIS INFORMATION OR THE PRODUCTS DISCLOSED HEREIN
 MUST BE OBTAINED IN WRITING FROM COFAN USA INC.

REVISION HISTORY					
REV	DESCRIPTION	DRWN	CHK'D	APPVD	DATE
---	---	---	---	---	---

- NOTES:
1. MATERIAL: AL 6063-T5
 2. FINISH: ----
 3. DEBURR AND BREAK ALL SHARP EDGES..
 4.  IS CRITICAL INSPECTION POINT. NUMBERING IN TRIANGLE IS TO BE USED FOR CROSS REFERENCE OF INSPECTION REPORT TO DRAWING DIMENSION OR FEATURE.
 5. ALL DIMENSIONS TO INCLUDE APPLICABLE FINISH.
 6. PART GROSS WEIGHT: 12.54Kg/pcs.
 7. LENGTH = 214MM



RoHS
 Compliant
 2002/95/EC

DO NOT SCALE DRAWING UNLESS OTHERWISE SPECIFIED DIMENSIONS ARE IN MILLIMETRE TOLERANCES ARE: 1 PLACE .X ± 0.3 2 PLACE .XX ± 0.25 3 PLACE .XXX ± 0.13 ANGLES EXCEPT 90° ± 0.5° MAXIMUM SURFACE ROUGHNESS 6.3	DRAWN BY:	Long	Aug-20-07	CUSTOMER DRAWING NUMBER:	 46177 WARM SPRING BLVD FREMONT CA 94539		
	CHECKED BY:			CUSTOMER PART NUMBER:	NAME: Pressed Fin Heatsink		
	CHECKED BY:			CDFAN DRAWING NUMBER:	SCALE:	CUS REV:	COF REV:
	APPR BY:			20-3092	1:1	A	01
				CDFAN PART NUMBER:	SHEET:	DATE DRAWN:	
				20-3092	1 OF 1	Sep-06-2007	