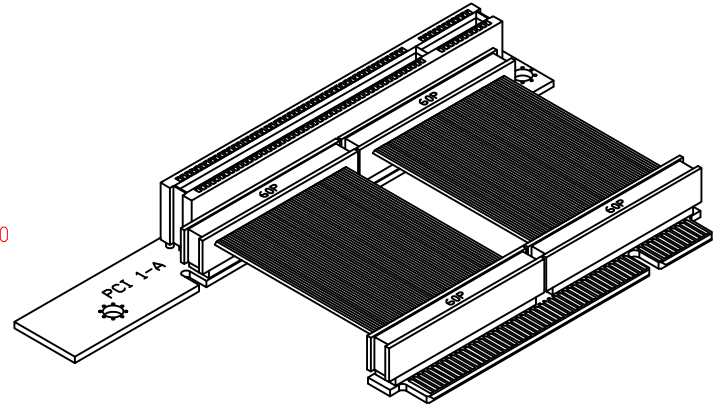
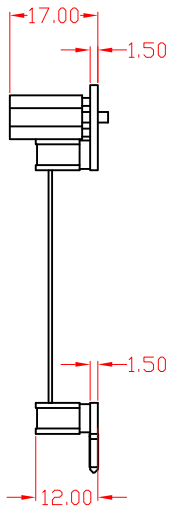
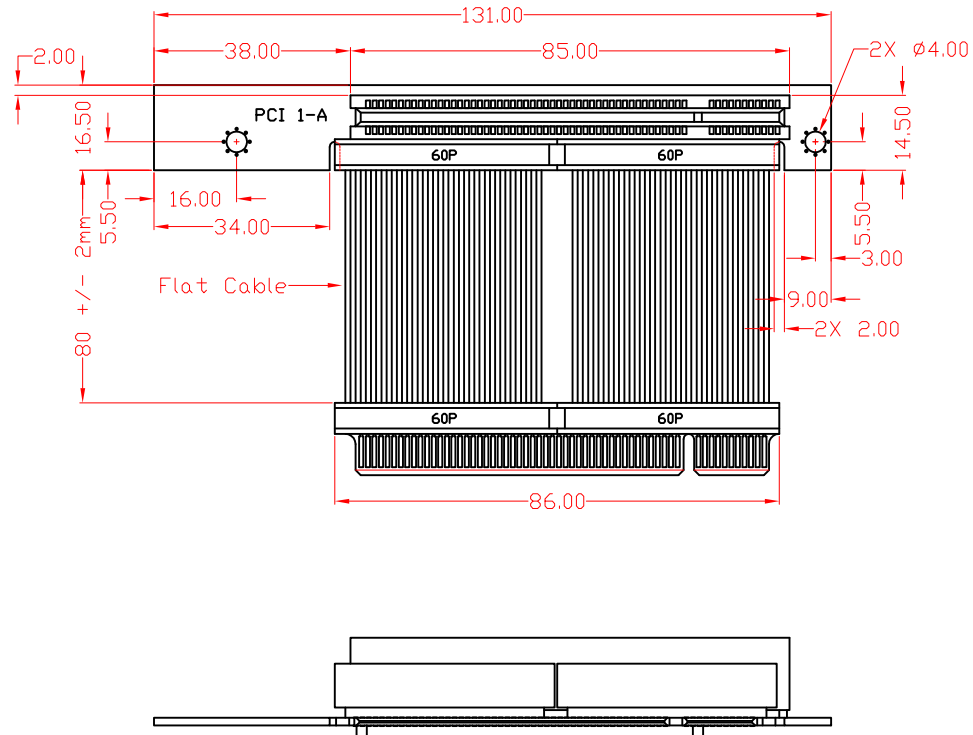


NOTICE - PROPRIETARY INFORMATION
 THE DESIGN AND RELATED INFORMATION CONTAINED HEREIN IS THE SOLE PROPERTY OF COFAN INC. THE DISCLOSURE OF THIS INFORMATION DOES NOT CONSTITUTE THE RELEASE OF ANY PROPRIETARY RIGHTS THEREIN. PERMISSION TO REPRODUCE THIS INFORMATION OR THE PRODUCTS DISCLOSED HEREIN MUST BE OBTAINED IN WRITING FROM COFAN INC.

REVISION HISTORY					
REV	DESCRIPTION	DRWN	CHK'D	APP'VD	DATE
---	SEE SHEET 1	---	---	---	---



DO NOT SCALE DRAWING UNLESS OTHERWISE SPECIFIED DIMENSIONS ARE IN MILLIMETRE TOLERANCES ARE: 1 PLACE .X ± 0.4 2 PLACE .XX ± 0.25 3 PLACE .XXX ± 0.13 ANGLES EXCEPT 90° ± 1° MAXIMUM SURFACE ROUGHNESS 125 √	MATERIAL: ----	CUSTOMER DRAWING NUMBER: ----	 1400 FULTON PL. UNIT A FREMONT CA 94539		
	FINISH: ----	CUSTOMER PART NUMBER: ----	NAME: PCI1-A		
	DRAWN BY: Jun	COFAN DRAWING NUMBER: PCI1-A	SCALE: 1 : 1	CUS REV: --	COF REV: 01
	APPR BY:	COFAN PART NUMBER: PCI1-A	SHEET: 1 OF 1	DATE DRAWN: 05-24-2004	