

92

AGD series

92X92X25mm



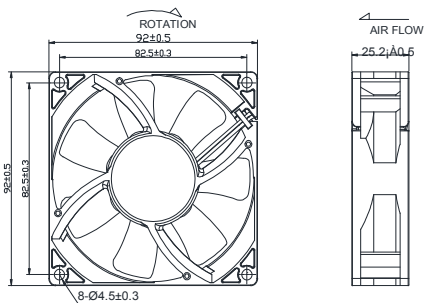
● General Specification

- Material ----- Frame & Impeller : PBT (UL94V-0)
- Operation Temp. -- Two ball bearing : -10°C~70°C
Fluid bearing : -10°C~50°C
- Lead Wires ----- UL 1007 AWG#24 (2 wires) / 26 (3 wires) / 28 (4 wires)
Red Wire : + Yellow Wire : Tach signal
Black Wire : - Blue Wire : PWM control
- Weight ----- 89g

● Specification *Bearing system B:two ball bearing F:fluid bearing

Model	*Bearing System	Rated Voltage	Operating Voltage	Rated Current	Rated Speed	Maximum Air Flow		Maximum Air Pressure		Sound Level	P-Q Curve
P/N	B / F	V	V	A	RPM	m ³ /min	CFM	mm-H ₂ O	In-H ₂ O	dB-A	No.
AGD09225B12J	B	12	7.0~13.2	0.10	1800	1.05	37.3	2.05	0.08	25	①
AGD09225B12L	B	12	7.0~13.2	0.12	2300	1.40	49.5	3.38	0.13	31	②
AGD09225B12M	B	12	7.0~13.2	0.21	2800	1.48	59.9	4.86	0.19	37	③
AGD09225B12H	B	12	7.0~13.2	0.32	3300	2.06	72.7	6.65	0.26	42	④
AGD09225B12U	B	12	7.0~13.2	0.40	3800	2.31	81.5	8.76	0.34	46	⑤
AGD09225B12V	B	12	7.0~13.2	0.75	4800	2.91	102.6	13.35	0.40	53	⑥
AGD09225B24J	B	24	14.0~26.4	0.08	1800	1.05	37.3	2.05	0.08	25	①
AGD09225B24L	B	24	14.0~26.4	0.10	2300	1.40	49.5	3.38	0.13	31	②
AGD09225B24M	B	24	14.0~26.4	0.12	2800	1.48	59.9	4.86	0.19	37	③
AGD09225B24H	B	24	14.0~26.4	0.18	3300	2.06	72.7	6.65	0.26	42	④
AGD09225B24U	B	24	14.0~26.4	0.25	3800	2.31	81.5	8.76	0.34	46	⑤
AGD09225B24V	B	24	14.0~26.4	0.40	4800	2.91	102.6	13.35	0.53	53	①

● Drawing & Panel Cut Outs



● Characteristic Curves

