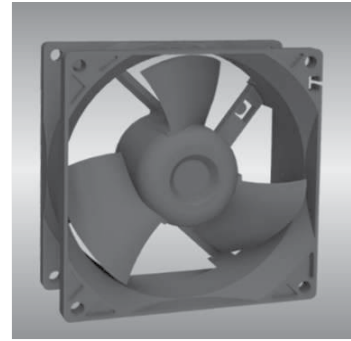


# 92

## AGE series

92X92X32mm



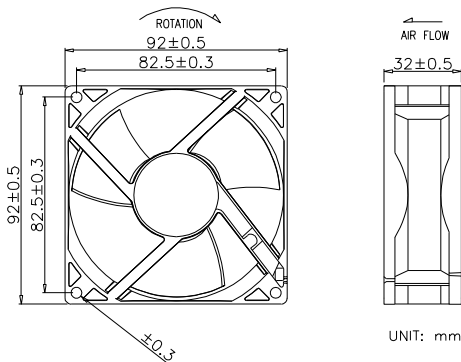
### General Specification

- Material ----- Frame & Impeller : PBT (UL94V-0)
- Operation Temp. -- Two ball bearing : -10°C~70°C  
Fluid bearing : -10°C~50°C
- Lead Wires ----- UL 1007 AWG#24 (2 wires) / 26 (3 wires) / 28 (4 wires)  
Red Wire : +                      Yellow Wire : Tach signal  
Black Wire : -                     Blue Wire : PWM control
- Weight ----- 110g

### Specification \*Bearing system B:two ball bearing F:fluid bearing

Model	*Bearing System	Rated Voltage	Operating Voltage	Rated Current	Rated Speed	Maximum Air Flow		Maximum Air Pressure		Sound Level	P-Q Curve
P/N	B / F	V	V	A	RPM	m <sup>3</sup> /min	CFM	mm-H <sub>2</sub> O	In-H <sub>2</sub> O	dB-A	No.
AGE09232B12J	B	12	7.0~13.2	0.04	2100	1.09	38.6	2.37	0.09	25	①
AGE09232B12L	B	12	7.0~13.2	0.06	2450	1.27	45.0	3.22	0.13	30	②
AGE09232B12M	B	12	7.0~13.2	0.10	2850	1.48	52.3	4.36	0.17	34	③
AGE09232B12H	B	12	7.0~13.2	0.14	3200	1.66	58.7	5.49	0.22	38	④
AGE09232B12U	B	12	7.0~13.2	0.24	3800	1.97	69.7	7.74	0.30	45	⑤
AGE09232B12V	B	12	7.0~13.2	0.40	4500	2.32	82.0	11.54	0.45	44	⑥
AGE09232B24J	B	24	14.0~26.4	0.02	2100	1.09	38.6	2.37	0.09	25	①
AGE09232B24L	B	24	14.0~26.4	0.03	2450	1.27	45.0	3.22	0.13	30	②
AGE09232B24M	B	24	14.0~26.4	0.05	2850	1.48	52.3	4.36	0.17	34	③
AGE09232B24H	B	24	14.0~26.4	0.07	3200	1.66	58.7	5.49	0.22	38	④
AGE09232B24U	B	24	14.0~26.4	0.12	3800	1.97	69.7	7.74	0.30	45	⑤
AGE09232B24V	B	24	14.0~26.4	0.20	4500	2.32	82.0	11.54	0.45	44	⑥

### Drawing & Panel Cut Outs



### Characteristic Curves

