

254 AGE series

254X89mm



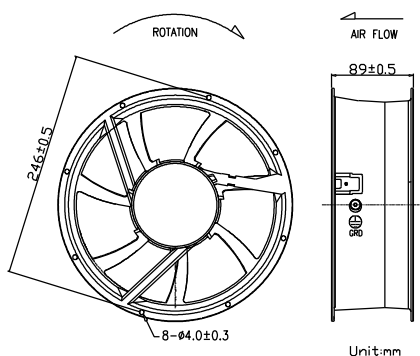
● General Specification

- Material ----- Frame: Aluminum, Impeller : PBT (UL94V-0)
- Operation Temp. -- Two ball bearing : -10°C~70°C
Fluid bearing : -10°C~50°C
- Lead Wires ----- UL 1007 AWG#22 (2 wires) / 22 (3 wires) / 22 (4 wires)
Red Wire : + Yellow Wire : Tach signal
Black Wire : - Blue Wire : PWM control
- Weight ----- 1.6kg

● Specification *Bearing system B:two ball bearing F:fluid bearing

Model	*Bearing System	Rated Voltage	Operating Voltage	Rated Current	Rated Speed	Maximum Air Flow	Maximum Air Pressure	Sound Level	P-Q Curve		
P/N	B / F	V	V	A	RPM	m ³ /min	CFM	mm-H ₂ O	In-H ₂ O	dB-A	No.
AGE25489B24L	B	24	14.0~26.4	0.80	1400	16.85	595.0	12.45	0.49	59	①
AGE25489B24M	B	24	14.0~26.4	1.30	1700	19.37	684.0	14.32	0.56	63	②
AGE25489B24H	B	24	14.0~26.4	2.20	2300	21.16	747.0	15.97	0.63	71	③
AGE25489B48L	B	48	28.0~56.0	0.63	1400	16.85	595.0	12.45	0.49	59	①
AGE25489B48M	B	48	28.0~56.0	1.00	1700	19.37	684.0	14.32	0.56	63	②
AGE25489B48H	B	48	28.0~56.0	1.50	2300	21.16	747.0	15.97	0.63	71	③

● Drawing & Panel Cut Outs



● Characteristic Curves

