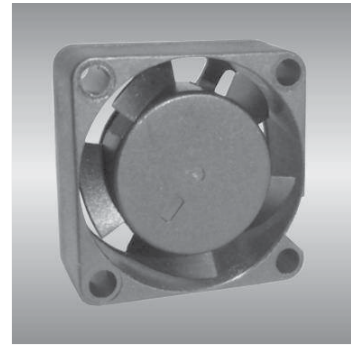


25

AGE series

25X25X10mm



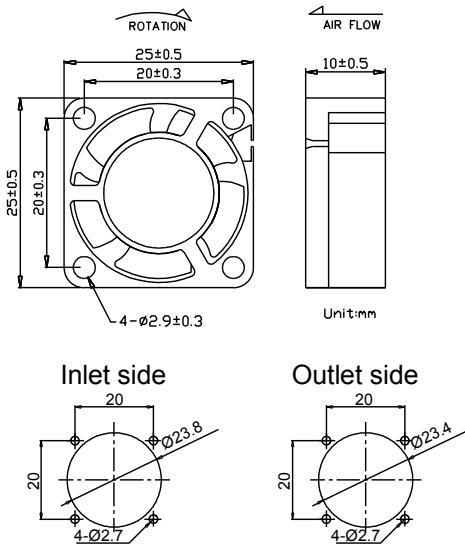
General Specification

- Material ----- Frame & Impeller : PBT (UL94V-0)
- Operation Temp. -- Two ball bearing : -10°C~70°C
Fluid bearing : -10°C~50°C
- Lead Wires ----- UL 1571 AWG#28 (2 wires) / 28 (3 wires) / 28 (4 wires)
Red Wire : + Yellow Wire : Tach signal
Black Wire : - Blue Wire : PWM control
- Weight ----- 8g

Specification *Bearing system B:two ball bearing F:fluid bearing

Model	*Bearing System	Rated Voltage	Operating Voltage	Rated Current	Rated Speed	Maximum Air Flow	Maximum Air Pressure	Sound Level	P-Q Curve		
P/N	B / F	V	V	A	RPM	m³/min	CFM	mm-H ₂ O	In-H ₂ O	dB-A	No.
AGE02510 * 05J	B / F	5	4.5~5.5	0.05	4000	0.01	0.52	0.75	0.03	10	①
AGE02510 * 05L	B / F	5	4.5~5.5	0.08	7000	0.04	1.32	1.9	0.07	20	②
AGE02510 * 05M	B / F	5	4.5~5.5	0.13	10000	0.05	1.85	4.4	0.17	24	③
AGE02510 * 12L	B / F	12	7.0~13.2	0.07	7000	0.04	1.32	1.9	0.07	20	①
AGE02510 * 12M	B / F	12	7.0~13.2	0.08	10000	0.05	1.85	4.4	0.17	24	②
AGE02510 * 12H	B / F	12	7.0~13.2	0.12	13000	0.07	2.41	7.3	0.29	28	③

Drawing & Panel Cut Outs



Characteristic Curves

