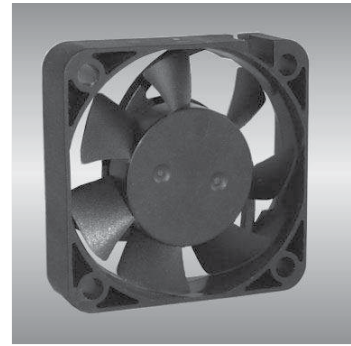


40

AGE series

40X40X10mm



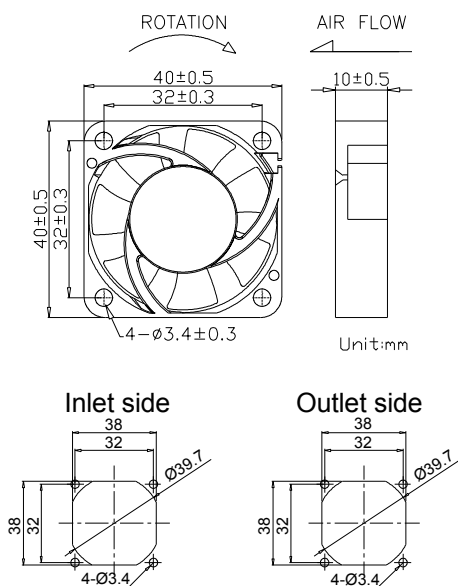
● General Specification

- Material ----- Frame & Impeller : PBT (UL94V-0)
- Operation Temp. -- Two ball bearing : -10°C~70°C
Fluid bearing : -10°C~50°C
- Lead Wires ----- UL 1007 AWG#26 (2 wires) / 28 (3 wires) / 28 (4 wires)
Red Wire : + Yellow Wire : Tach signal
Black Wire : - Blue Wire : PWM control
- Weight ----- 20g

● Specification *Bearing system B:two ball bearing F:fluid bearing

Model	*Bearing System	Rated Voltage	Operating Voltage	Rated Current	Rated Speed	Maximum Air Flow	Maximum Air Pressure	Sound Level	P-Q Curve		
P/N	B / F	V	V	A	RPM	m ³ /min	CFM	mm-H ₂ O	In-H ₂ O	dB-A	No.
AGE04010 * 05L	B / F	5	4.5~5.5	0.14	4000	0.13	4.75	1.42	0.06	21	①
AGE04010 * 05M	B / F	5	4.5~5.5	0.18	6000	0.21	7.24	2.92	0.11	26	②
AGE04010 * 05H	B / F	5	4.5~5.5	0.21	8000	0.26	9.25	5.10	0.20	35	③
AGE04010 * 12M	B / F	12	7.0~13.2	0.10	4000	0.13	4.75	1.42	0.06	21	①
AGE04010 * 12H	B / F	12	7.0~13.2	0.11	6000	0.21	7.24	2.92	0.11	26	②
AGE04010 * 12U	B / F	12	7.0~13.2	0.14	8000	0.26	9.25	5.10	0.20	33	③
AGE04010 * 12V	B / F	12	7.0~13.2	0.18	10000	0.35	12.23	8.43	0.33	39	④
AGE04010 * 24 L	B / F	24	14.0~26.4	0.02	4000	0.13	4.75	1.42	0.06	21	①
AGE04010 * 24M	B / F	24	14.0~26.4	0.08	8000	0.26	9.25	5.10	0.20	33	③
AGE04010 * 24H	B / F	24	14.0~26.4	0.12	10000	0.35	12.23	8.43	0.33	39	④

● Drawing & Panel Cut Outs



● Characteristic Curves

