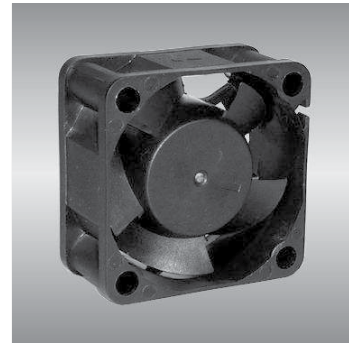


40

AGE series

40X40X20mm



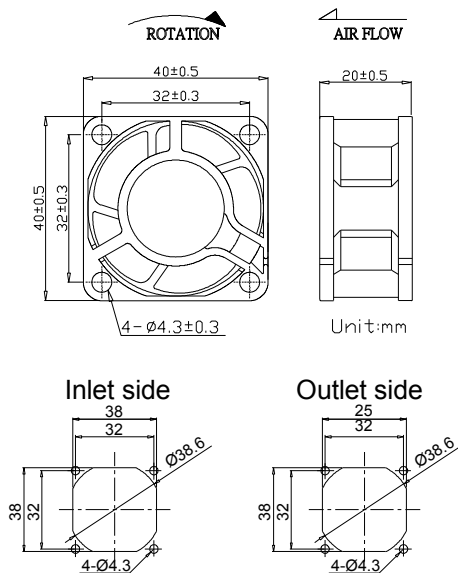
● General Specification

- Material ----- Frame & Impeller : PBT (UL94V-0)
- Operation Temp. -- Two ball bearing : -10°C~70°C
Fluid bearing : -10°C~50°C
- Lead Wires ----- UL 1007 AWG#26 (2 wires) / 26 (3 wires) / 26 (4 wires)
Red Wire : + Yellow Wire: Tach signal
Black Wire : - Blue Wire: PWM control
- Weight ----- 27g

● Specification *Bearing system B:two ball bearing F:fluid bearing

Model	*Bearing System	Rated Voltage	Operating Voltage	Rated Current	Rated Speed	Maximum Air Flow	Maximum Air Pressure	Sound Level	P-Q Curve		
P/N	B / F	V	V	A	RPM	m³/min	CFM	mm-H ₂ O	In-H ₂ O	dB-A	No.
AGE04020_12L	B / F	12	7.0~13.2	0.10	5000	0.21	6.7	3.8	0.19	23	①
AGE04020_12M	B / F	12	7.0~13.2	0.12	6500	0.22	8.4	7.1	0.32	27	②
AGE04020_12H	B / F	12	7.0~13.2	0.16	8600	0.31	9.8	8.7	0.43	36	③
AGE04020_12U	B / F	12	7.0~13.2	0.22	9500	0.31	11.0	9.3	0.47	37	④
AGE04020_24L	B / F	24	14.0~26.4	0.07	5000	0.21	6.7	3.8	0.19	23	①
AGE04020_24M	B / F	24	14.0~26.4	0.09	6500	0.22	8.4	7.1	0.32	27	②
AGE04020_24H	B / F	24	14.0~26.4	0.13	8600	0.31	9.8	8.7	0.43	36	③

● Drawing & Panel Cut Outs



● Characteristic Curves

