

60

AGE series

60X60X10mm



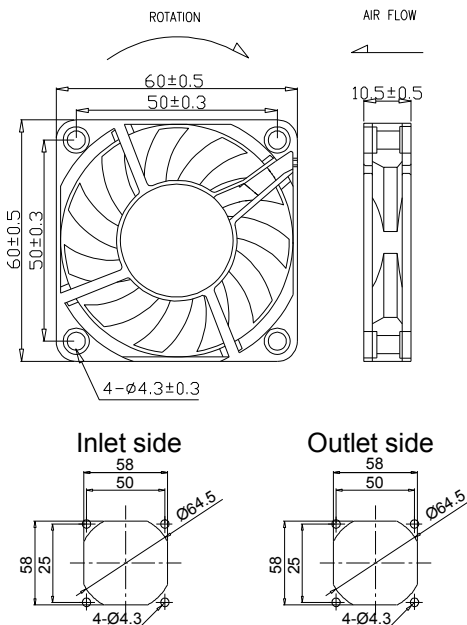
● General Specification

- Material ----- Frame & Impeller : PBT (UL94V-0)
- Operation Temp. -- Two ball bearing : -10°C~70°C
Fluid bearing : -10°C~50°C
- Lead Wires ----- UL 1007 AWG#26 (2 wires) / 26 (3 wires) / 26 (4 wires)
Red Wire : + Yellow Wire : Tach signal
Black Wire : - Blue Wire : PWM control
- Weight ----- 37g

● Specification *Bearing system B:two ball bearing F:fluid bearing

Model	*Bearing System	Rated Voltage	Operating Voltage	Rated Current	Rated Speed	Maximum Air Flow	Maximum Air Pressure	Sound Level	P-Q Curve		
P/N	B / F	V	V	A	RPM	m³/min	CFM	mm-H₂O	In-H₂O	dB-A	No.
AGE06010 * 05L	B / F	5	4.5~5.5	0.30	3500	0.56	14.3	2.1	0.08	28	①
AGE06010 * 05M	B / F	5	4.5~5.5	0.38	4200	0.67	17.1	3.0	0.12	33	②
AGE06010 * 05H	B / F	5	4.5~5.5	0.42	4900	0.78	19.9	4.1	0.16	37	③
AGE06010 * 12L	B / F	12	7.0~13.2	0.14	3500	0.56	14.3	2.1	0.08	28	①
AGE06010 * 12M	B / F	12	7.0~13.2	0.17	4200	0.67	17.1	3.0	0.12	33	②
AGE06010 * 12V	B / F	12	7.0~13.2	0.20	4900	0.78	19.9	4.1	0.16	37	③
AGE06010 * 24L	B / F	24	14.0~26.4	0.05	3500	0.56	14.3	2.1	0.08	28	①
AGE06010 * 24M	B / F	24	14.0~26.4	0.08	4200	0.67	17.1	3.0	0.12	33	②
AGE06010 * 24H	B / F	24	14.0~26.4	0.10	4900	0.78	19.9	4.1	0.16	37	③

● Drawing & Panel Cut Outs



● Characteristic Curves

