

80

AGE series

80X80X25mm



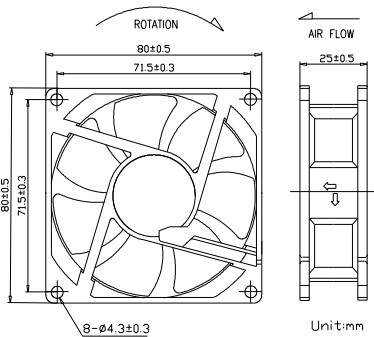
● General Specification

- Material ----- Frame & Impeller : PBT (UL94V-0)
- Operation Temp. -- Two ball bearing : -10°C~70°C
Fluid bearing : -10°C~50°C
- Lead Wires ----- UL 1007 AWG#24 (2 wires) / 26 (3 wires) / 28 (4 wires)
Red Wire : + Yellow Wire : Tach signal
Black Wire : - Blue Wire : PWM control
- Weight ----- 80g

● Specification *Bearing system B:two ball bearing F:fluid bearing

Model	*Bearing System	Rated Voltage	Operating Voltage	Rated Current	Rated Speed	Maximum Air Flow	Maximum Air Pressure	Sound Level	P-Q Curve		
P/N	B / F	V	V	A	RPM	m³/min	CFM	mm-H ₂ O	In-H ₂ O	dB-A	No.
AGE08025 * 05U	B / F	5	4.5~5.5	0.30	2700	0.90	31.8	2.9	0.11	28	①
AGE08025 * 12J	B / F	12	7.0~13.2	0.17	2700	0.90	31.8	2.9	0.11	29	①
AGE08025 * 12L	B / F	12	7.0~13.2	0.19	3000	1.00	35.4	3.6	0.14	33	②
AGE08025 * 12M	B / F	12	7.0~13.2	0.23	3600	1.20	42.4	5.0	0.20	38	③
AGE08025 * 12H	B / F	12	7.0~13.2	0.32	4300	1.43	50.5	6.8	0.27	43	④
AGE08025 * 12U	B / F	12	7.0~13.2	0.50	5000	1.69	60.0	9.6	0.38	48	⑤
AGE08025 * 12V	B	12	7.0~13.2	0.50	5700	2.10	74.3	9.6	0.38	50	⑥
AGE08025 * 24J	B / F	24	14.0~26.4	0.08	2700	0.90	31.8	2.9	0.11	29	①
AGE08025 * 24L	B / F	24	14.0~26.4	0.11	3000	1.00	35.4	3.6	0.14	33	②
AGE08025 * 24M	B / F	24	14.0~26.4	0.16	3600	1.20	42.4	5.0	0.20	38	③
AGE08025 * 24H	B / F	24	14.0~26.4	0.23	4300	1.43	50.5	6.8	0.27	43	④
AGE08025 * 24U	B	24	4.0~26.4	0.25	5000	1.69	60.0	9.6	0.38	48	⑤
AGE08025 * 48M	B / F	48	28.0~56.0	0.06	3000	1.00	35.4	3.6	0.14	33	②
AGE08025 * 48H	B / F	48	28.0~56.0	0.09	3600	1.20	42.4	5.0	0.20	38	③
AGE08025 * 48U	B / F	48	28.0~56.0	0.20	4300	1.43	50.5	6.8	0.27	43	④
AGE08025 * 48V	B	48	28.0~56.0	0.21	5000	1.69	60.0	9.6	0.38	48	⑤

● Drawing & Panel Cut Outs



● Characteristic Curves

