

# 92

## AGE series

92X92X25mm



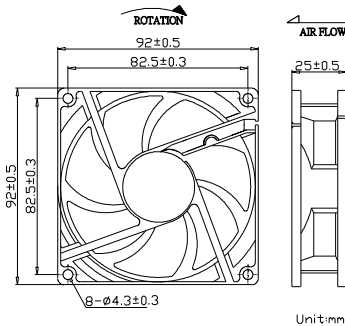
### ● General Specification

- Material ----- Frame & Impeller : PBT (UL94V-0)
- Operation Temp. -- Two ball bearing : -10°C~70°C  
Fluid bearing : -10°C~50°C
- Lead Wires ----- UL 1007 AWG#24 (2 wires) / 26 (3 wires) / 28 (4 wires)  
Red Wire : +                      Yellow Wire : Tach signal  
Black Wire : -                     Blue Wire : PWM control
- Weight ----- 85g

### ● Specification \*Bearing system B:two ball bearing F:fluid bearing

Model	*Bearing System	Rated Voltage	Operating Voltage	Rated Current	Rated Speed	Maximum Air Flow		Maximum Air Pressure		Sound Level	P-Q Curve
P/N	B / F	V	V	A	RPM	m <sup>3</sup> /min	CFM	mm-H <sub>2</sub> O	In-H <sub>2</sub> O	dB-A	No.
AGE09225 * 12J	B / F	12	7.0~13.2	0.12	2100	1.05	37.0	2.39	0.09	25	①
AGE09225 * 12L	B / F	12	7.0~13.2	0.14	2450	1.22	43.0	3.21	0.13	30	②
AGE09225 * 12M	B / F	12	7.0~13.2	0.17	2850	1.35	47.5	4.24	0.17	34	③
AGE09225 * 12H	B / F	12	7.0~13.2	0.20	3200	1.61	56.8	5.89	0.23	38	④
AGE09225 * 12U	B / F	12	7.0~13.2	0.35	3800	1.81	64.0	6.57	0.26	45	⑤
AGE09225 * 12V	B / F	12	7.0~13.2	0.41	4200	2.16	76.1	8.93	0.35	49	⑥
AGE09225 * 24J	B / F	24	14.0~26.4	0.06	2100	1.05	37.0	2.39	0.09	25	①
AGE09225 * 24L	B / F	24	14.0~26.4	0.08	2450	1.22	43.0	3.21	0.13	30	②
AGE09225 * 24M	B / F	24	14.0~26.4	0.10	2850	1.35	47.5	4.24	0.17	34	③
AGE09225 * 24H	B / F	24	14.0~26.4	0.15	3200	1.61	56.8	5.89	0.23	38	④
AGE09225 * 24U	B / F	24	14.0~26.4	0.20	3800	1.81	64.0	6.57	0.26	45	⑤
AGE09225 * 12V	B / F	24	14.0~26.4	0.22	4200	2.16	76.1	8.93	0.35	49	⑥
AGE09225 * 48J	B / F	48	28.0~56.0	0.05	2100	1.05	37.0	2.39	0.09	25	①
AGE09225 * 48L	B / F	48	28.0~56.0	0.06	2450	1.22	43.0	3.21	0.13	30	②
AGE09225 * 48M	B / F	48	28.0~56.0	0.08	2850	1.35	47.5	4.24	0.17	34	③
AGE09225 * 48H	B / F	48	28.0~56.0	0.10	3200	1.61	56.8	5.89	0.23	38	④

### ● Drawing & Panel Cut Outs



### ● Characteristic Curves

