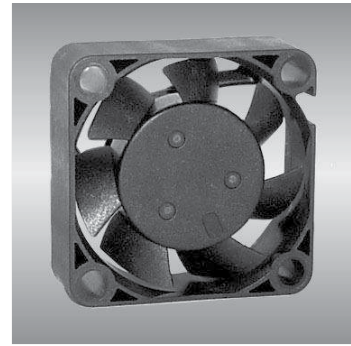


30

AGE series

30X30X10mm



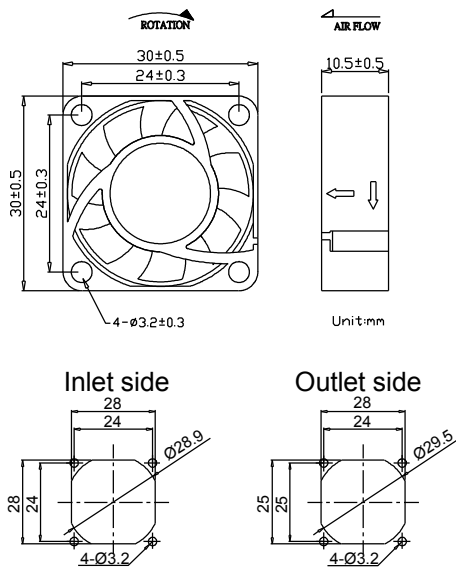
● General Specification

- Material ----- Frame & Impeller : PBT (UL94V-0)
- Operation Temp. -- Two ball bearing : -10°C~70°C
Fluid bearing : -10°C~50°C
- Lead Wires ----- UL 1571 AWG#28 (2 wires) / 28 (3 wires) / 28 (4 wires)
Red Wire : + Yellow Wire : Tach signal
Black Wire : - Blue Wire : PWM control
- Weight ----- 10g

● Specification *Bearing system B:two ball bearing F:fluid bearing

Model	*Bearing System	Rated Voltage	Operating Voltage	Rated Current	Rated Speed	Maximum Air Flow	Maximum Air Pressure	Sound Level	P-Q Curve		
P/N	B / F	V	V	A	RPM	m³/min	CFM	mm-H₂O	In-H₂O	dB-A	No.
AGE03010 * 05L	B / F	5	4.5~5.5	0.09	6000	0.08	2.99	2.33	0.09	17	①
AGE03010 * 05M	B / F	5	4.5~5.5	0.12	7500	0.11	3.73	3.65	0.14	24	②
AGE03010 * 05H	B / F	5	4.5~5.5	0.22	9000	0.13	4.48	5.25	0.21	29	③
AGE03010 * 05U	B / F	5	4.5~5.5	0.25	11000	0.16	5.65	6.15	0.24	31	④
AGE03010 * 12L	B / F	12	7.0~13.2	0.03	6000	0.08	2.99	2.33	0.09	17	①
AGE03010 * 12M	B / F	12	7.0~13.2	0.05	7500	0.11	3.73	3.65	0.14	24	②
AGE03010 * 12H	B / F	12	7.0~13.2	0.07	9000	0.13	4.48	5.25	0.21	29	③
AGE03010 * 12U	B / F	12	7.0~13.2	0.13	11000	0.16	5.65	6.15	0.24	31	④

● Drawing & Panel Cut Outs



● Characteristic Curves

